

General Description

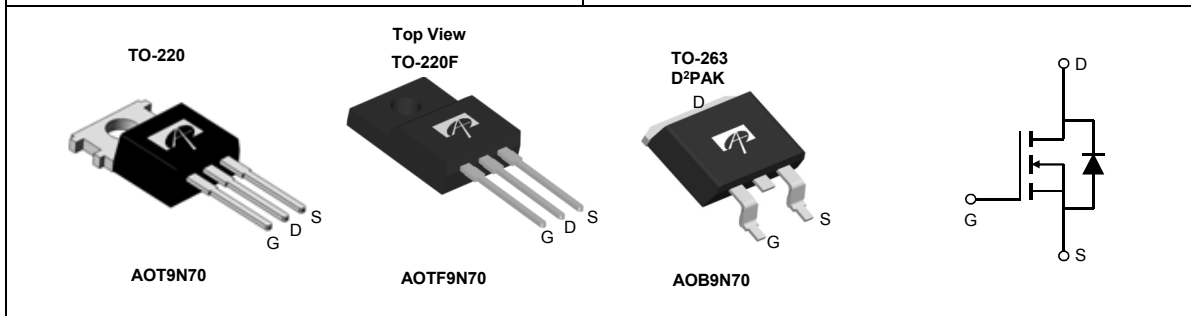
The AOT9N70 & AOTF9N70 & AOB9N70 have been fabricated using an advanced high voltage MOSFET process that is designed to deliver high levels of performance and robustness in popular AC-DC applications.

By providing low $R_{DS(ON)}$, C_{iss} and C_{rss} along with guaranteed avalanche capability these parts can be adopted quickly into new and existing offline power supply designs.

Product Summary

| | |
|---------------------------------|------------|
| V_{DS} | 800V@150°C |
| I_D (at $V_{GS}=10V$) | 9A |
| $R_{DS(ON)}$ (at $V_{GS}=10V$) | < 1.2Ω |

100% UIS Tested
 100% R_g Tested



| Orderable Part Number | Package Type | Form | Minimum Order Quantity |
|-----------------------|-----------------|-------------|------------------------|
| AOT9N70 | TO-220 Pb Free | Tube | 1000 |
| AOTF9N70 | TO-220F Pb Free | Tube | 1000 |
| AOTF9N70L | TO-220F Green | Tube | 1000 |
| AOB9N70L | TO-263 Green | Tape & Reel | 800 |

Absolute Maximum Ratings $T_A=25^\circ C$ unless otherwise noted

| Parameter | Symbol | AOT(B)9N70 | AOTF9N70 | AOTF9N70L | Units |
|--|-------------------|------------|----------|-----------|-------|
| Drain-Source Voltage | V_{DS} | 700 | | | V |
| Gate-Source Voltage | V_{GS} | ±30 | | | V |
| Continuous Drain Current | $T_C=25^\circ C$ | 9 | 9* | 9* | A |
| | $T_C=100^\circ C$ | 5.8 | 5.8* | 5.8* | |
| Pulsed Drain Current ^C | I_{DM} | 33 | | | A |
| Avalanche Current ^C | I_{AR} | 3.2 | | | A |
| Repetitive avalanche energy ^C | E_{AR} | 77 | | | mJ |
| Single pulsed avalanche energy ^G | E_{AS} | 154 | | | mJ |
| Peak diode recovery dv/dt | dv/dt | 5 | | | V/ns |
| Power Dissipation ^B | $T_C=25^\circ C$ | 236 | 50 | 27.8 | W |
| | Derate above 25°C | 1.8 | 0.4 | 0.22 | |
| Junction and Storage Temperature Range | T_J, T_{STG} | -55 to 150 | | | °C |
| Maximum lead temperature for soldering purpose, 1/8" from case for 5 seconds | T_L | 300 | | | °C |

Thermal Characteristics

| Parameter | Symbol | AOT(B)9N70 | AOTF9N70 | AOTF9N70L | Units |
|--|-----------------|------------|----------|-----------|-------|
| Maximum Junction-to-Ambient ^{A,D} | $R_{\theta JA}$ | 65 | 65 | 65 | °C/W |
| Maximum Case-to-sink ^A | $R_{\theta CS}$ | 0.5 | -- | -- | °C/W |
| Maximum Junction-to-Case | $R_{\theta JC}$ | 0.53 | 2.5 | 4.5 | °C/W |

* Drain current limited by maximum junction temperature.

Electrical Characteristics (T_J=25°C unless otherwise noted)

| Symbol | Parameter | Conditions | Min | Typ | Max | Units |
|------------------------------------|---|--|------|------|------|-------|
| STATIC PARAMETERS | | | | | | |
| BV _{DSS} | Drain-Source Breakdown Voltage | I _D =250μA, V _{GS} =0V, T _J =25°C | 700 | | | V |
| | | I _D =250μA, V _{GS} =0V, T _J =150°C | | 800 | | |
| BV _{DSS} /ΔT _J | Breakdown Voltage Temperature Coefficient | I _D =250μA, V _{GS} =0V | | 0.84 | | V/°C |
| I _{DSS} | Zero Gate Voltage Drain Current | V _{DS} =700V, V _{GS} =0V | | | 1 | μA |
| | | V _{DS} =560V, T _J =125°C | | | 10 | |
| I _{GSS} | Gate-Body leakage current | V _{DS} =0V, V _{GS} =±30V | | | ±100 | nA |
| V _{GS(th)} | Gate Threshold Voltage | V _{DS} =5V, I _D =250μA | 3 | 3.9 | 4.5 | V |
| R _{DS(ON)} | Static Drain-Source On-Resistance | V _{GS} =10V, I _D =4.5A | | 0.94 | 1.2 | Ω |
| g _{FS} | Forward Transconductance | V _{DS} =40V, I _D =4.5A | | 10 | | S |
| V _{SD} | Diode Forward Voltage | I _S =1A, V _{GS} =0V | | 0.74 | 1 | V |
| I _S | Maximum Body-Diode Continuous Current | | | | 9 | A |
| I _{SM} | Maximum Body-Diode Pulsed Current | | | | 33 | A |
| DYNAMIC PARAMETERS | | | | | | |
| C _{iss} | Input Capacitance | V _{GS} =0V, V _{DS} =25V, f=1MHz | 1085 | 1357 | 1630 | pF |
| C _{oss} | Output Capacitance | | 90 | 113 | 147 | pF |
| C _{rss} | Reverse Transfer Capacitance | | 6 | 7.4 | 11 | pF |
| R _g | Gate resistance | V _{GS} =0V, V _{DS} =0V, f=1MHz | 2 | 4 | 6 | Ω |
| SWITCHING PARAMETERS | | | | | | |
| Q _g | Total Gate Charge | V _{GS} =10V, V _{DS} =560V, I _D =9A | 23 | 28.5 | 35 | nC |
| Q _{gs} | Gate Source Charge | | 5.5 | 6.8 | 8.2 | nC |
| Q _{gd} | Gate Drain Charge | | 9.3 | 11.6 | 18 | nC |
| t _{D(on)} | Turn-On DelayTime | V _{GS} =10V, V _{DS} =350V, I _D =9A, R _G =25Ω | | 35 | | ns |
| t _r | Turn-On Rise Time | | | 61 | | ns |
| t _{D(off)} | Turn-Off DelayTime | | | 76 | | ns |
| t _f | Turn-Off Fall Time | | | 48 | | ns |
| t _{rr} | Body Diode Reverse Recovery Time | I _F =9A, di/dt=100A/μs, V _{DS} =100V | 300 | 375 | 450 | ns |
| Q _{rr} | Body Diode Reverse Recovery Charge | I _F =9A, di/dt=100A/μs, V _{DS} =100V | 6 | 7.5 | 9 | μC |

A. The value of R_{θJA} is measured with the device in a still air environment with T_A=25° C.

B. The power dissipation P_D is based on T_{J(MAX)}=150° C, using junction-to-case thermal resistance, and is more useful in setting the upper dissipation limit for cases where additional heatsinking is used.

C. Repetitive rating, pulse width limited by junction temperature T_{J(MAX)}=150° C. Ratings are based on low frequency and duty cycles to keep initial T_J=25° C.

D. The R_{θJA} is the sum of the thermal impedance from junction to case R_{θJC} and case to ambient.

E. The static characteristics in Figures 1 to 6 are obtained using <300 μs pulses, duty cycle 0.5% max.

F. These curves are based on the junction-to-case thermal impedance which is measured with the device mounted to a large heatsink, assuming a maximum junction temperature of T_{J(MAX)}=150° C. The SOA curve provides a single pulse rating.

G. L=30mH, I_{AS}=3.2A, V_{DD}=150V, R_G=25Ω, Starting T_J=25° C

THIS PRODUCT HAS BEEN DESIGNED AND QUALIFIED FOR THE CONSUMER MARKET. APPLICATIONS OR USES AS CRITICAL COMPONENTS IN LIFE SUPPORT DEVICES OR SYSTEMS ARE NOT AUTHORIZED. AOS DOES NOT ASSUME ANY LIABILITY ARISING OUT OF SUCH APPLICATIONS OR USES OF ITS PRODUCTS. AOS RESERVES THE RIGHT TO IMPROVE PRODUCT DESIGN, FUNCTIONS AND RELIABILITY WITHOUT NOTICE.

TYPICAL ELECTRICAL AND THERMAL CHARACTERISTICS

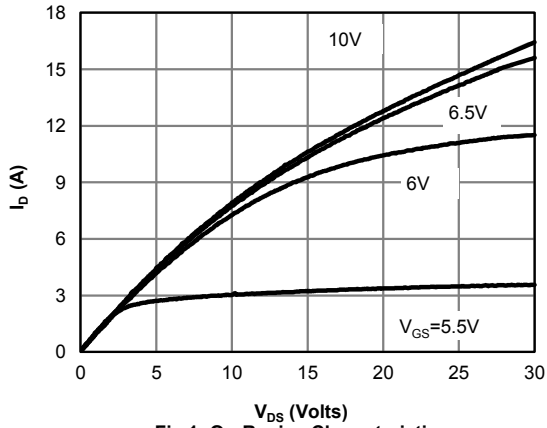


Fig 1: On-Region Characteristics

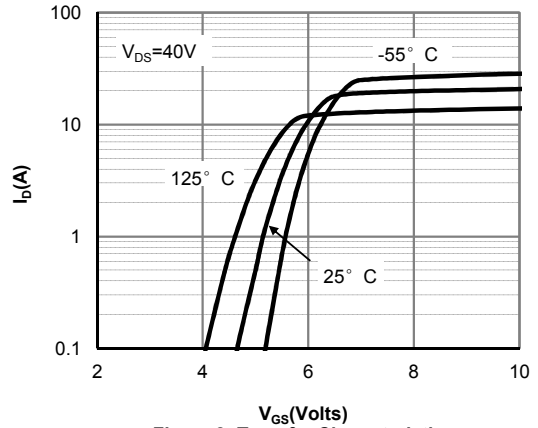


Figure 2: Transfer Characteristics

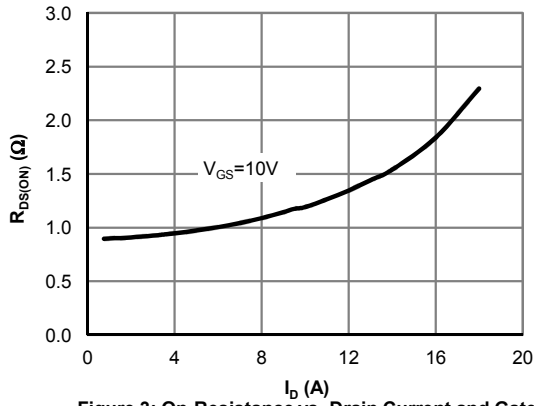


Figure 3: On-Resistance vs. Drain Current and Gate Voltage

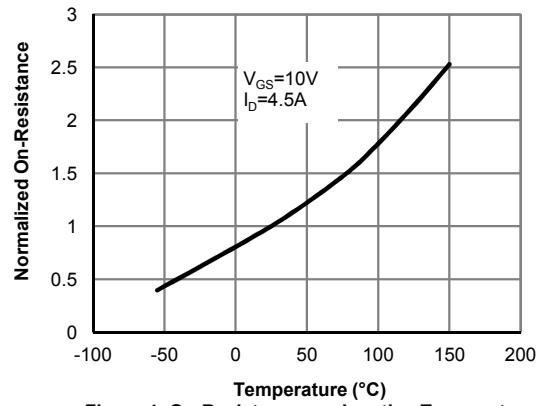


Figure 4: On-Resistance vs. Junction Temperature

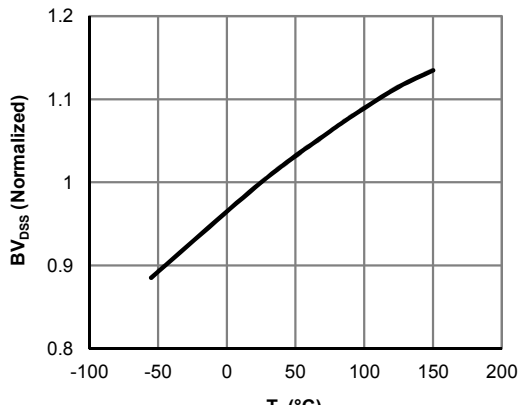


Figure 5: Break Down vs. Junction Temperature

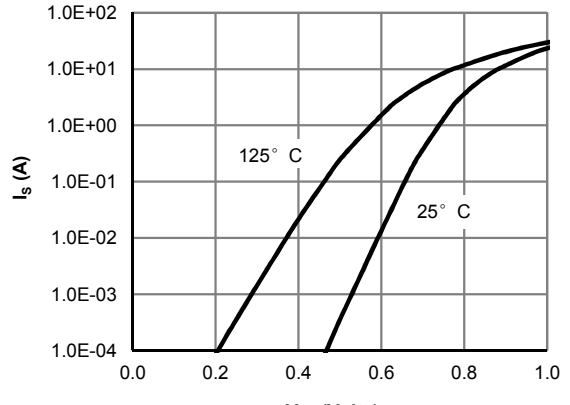


Figure 6: Body-Diode Characteristics (Note E)

TYPICAL ELECTRICAL AND THERMAL CHARACTERISTICS

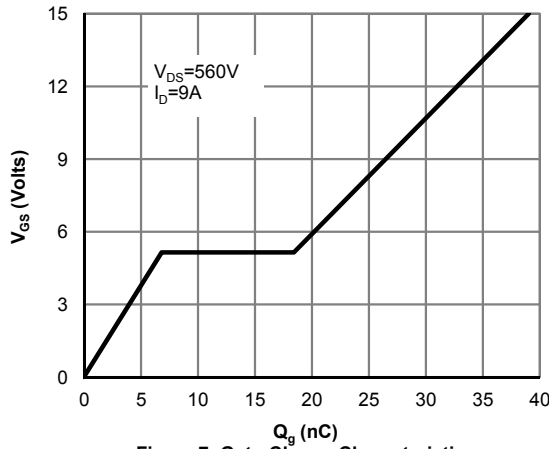


Figure 7: Gate-Charge Characteristics

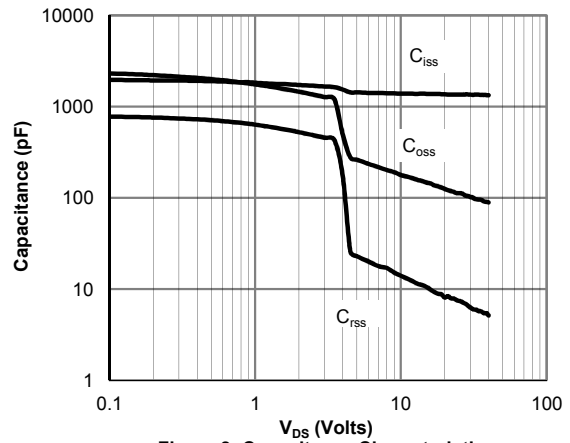


Figure 8: Capacitance Characteristics

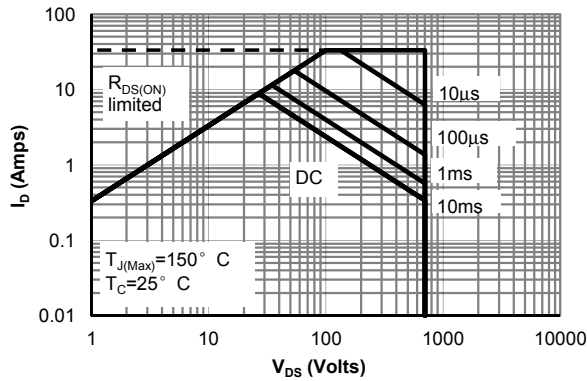


Figure 9: Maximum Forward Biased Safe Operating Area for AOT(B)9N70 (Note F)

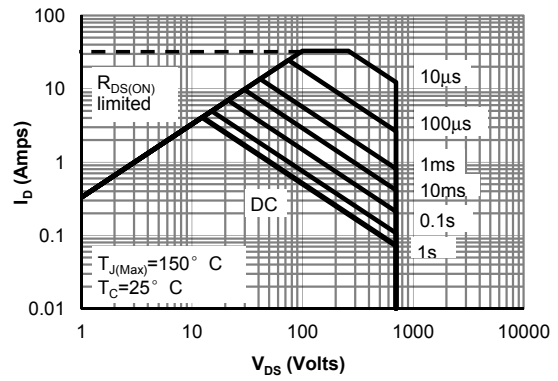


Figure 10: Maximum Forward Biased Safe Operating Area for AOTF9N70 (Note F)

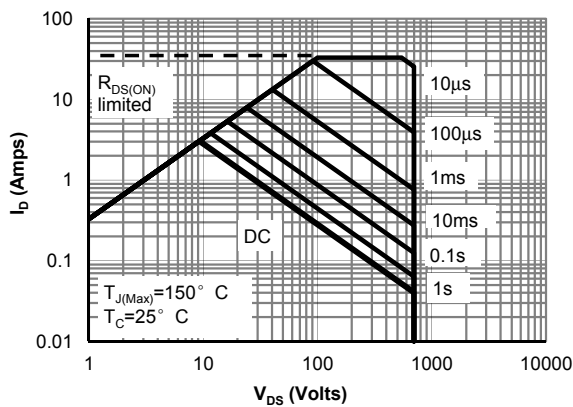


Figure 11: Maximum Forward Biased Safe Operating Area for AOTF9N70L (Note F)

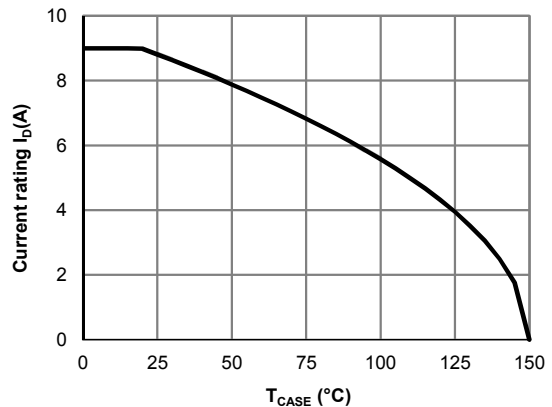


Figure 12: Current De-rating (Note B)

TYPICAL ELECTRICAL AND THERMAL CHARACTERISTICS

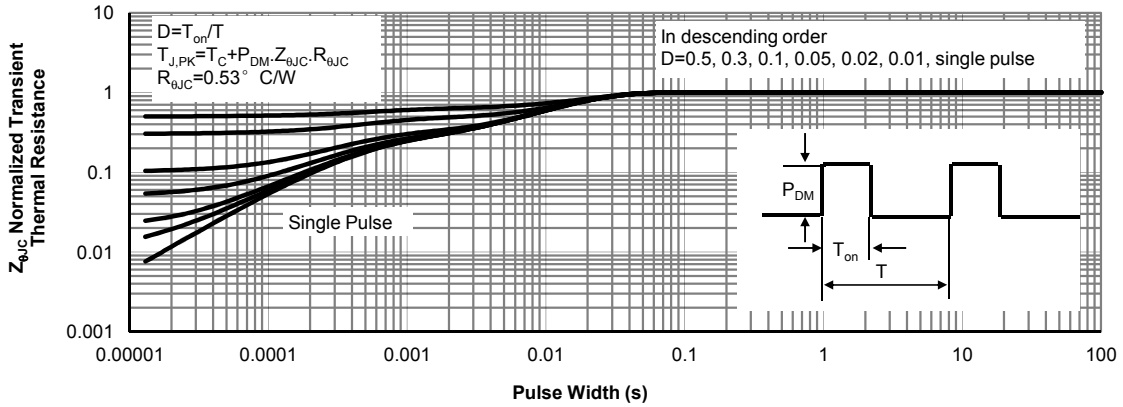


Figure 13: Normalized Maximum Transient Thermal Impedance for AOT(B)9N70 (Note F)

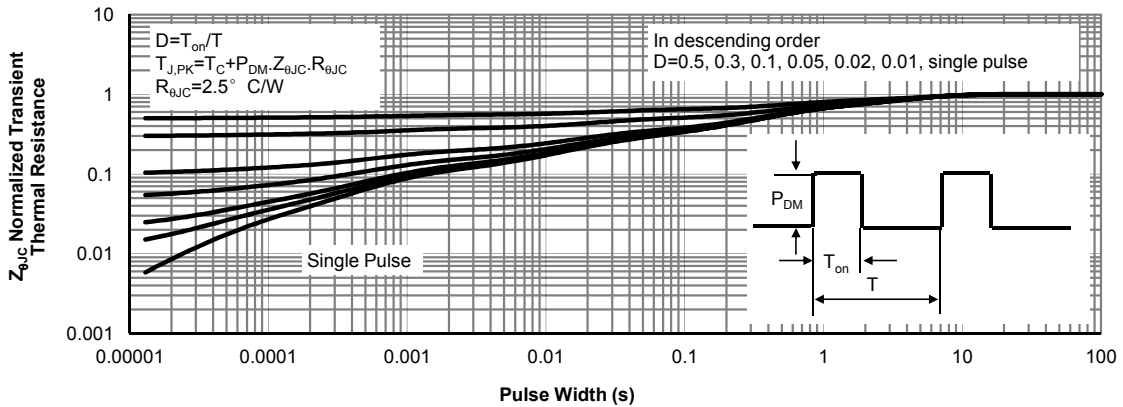


Figure 14: Normalized Maximum Transient Thermal Impedance for AOTF9N70 (Note F)

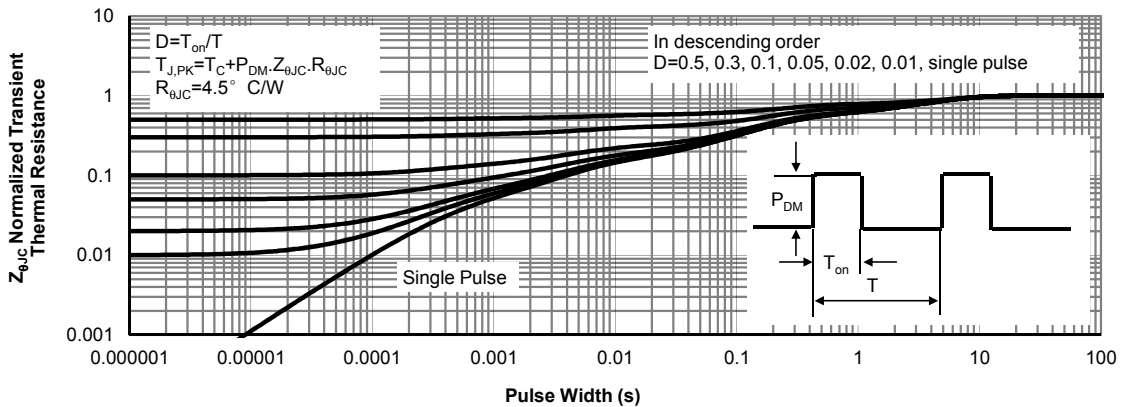
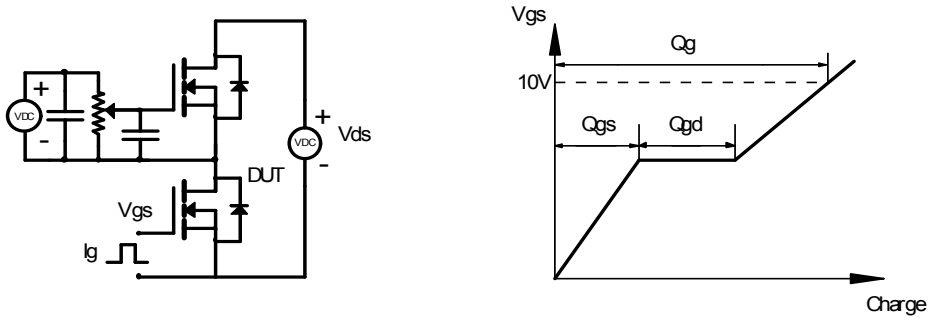
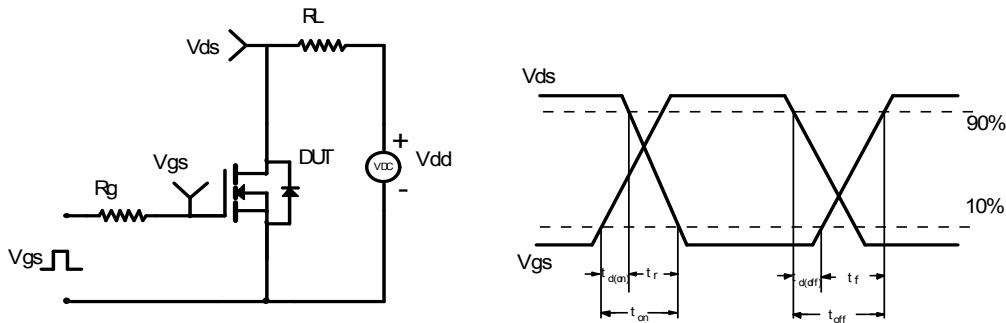


Figure 15: Normalized Maximum Transient Thermal Impedance for AOTF9N70 L (Note F)

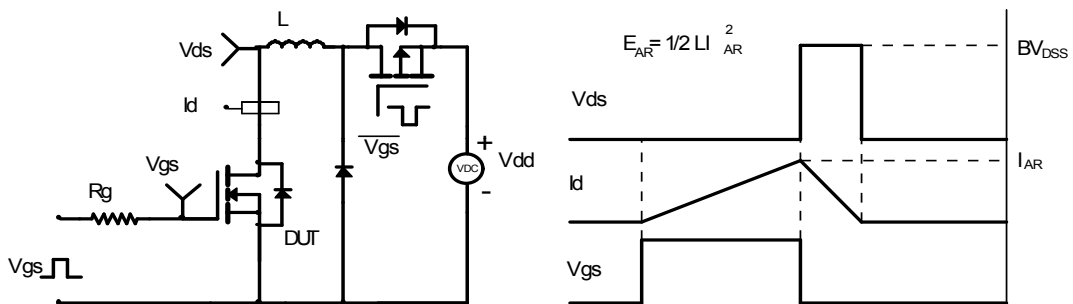
Gate Charge Test Circuit & Waveform



Resistive Switching Test Circuit & Waveforms



Unclamped Inductive Switching (UIS) Test Circuit & Waveforms



Diode Recovery Test Circuit & Waveforms

