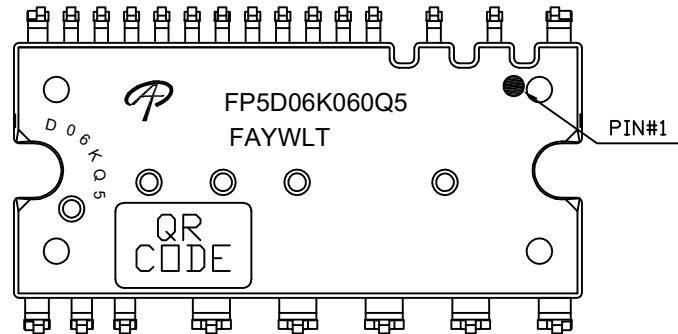




Document No.	PD-03641
Version	A
Title	AFP5D06K060Q5 Marking Description

IPM-5 PACKAGE MARKING DESCRIPTION



Green product

NOTE:	
FP5D06K060Q5	- Part number code
F	- Fab code
A	- Assembly location code
Y	- Year code
W	- Week code
L&T	- Assembly lot code
D06KQ5	- circle marking

PART NO.	DESCRIPTION	CODE
AFP5D06K060Q5	Green product	FP5D06K060Q5