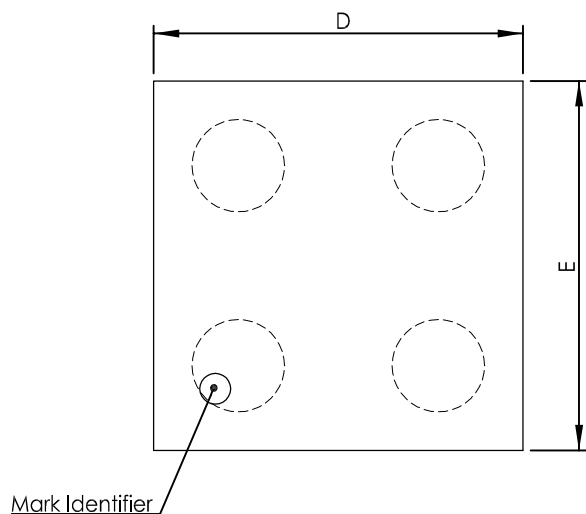
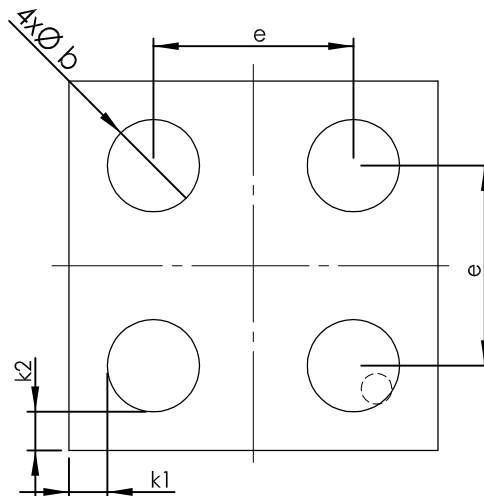


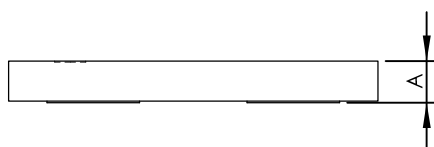
AlphaDFN1.20x1.20_4 PACKAGE OUTLINE



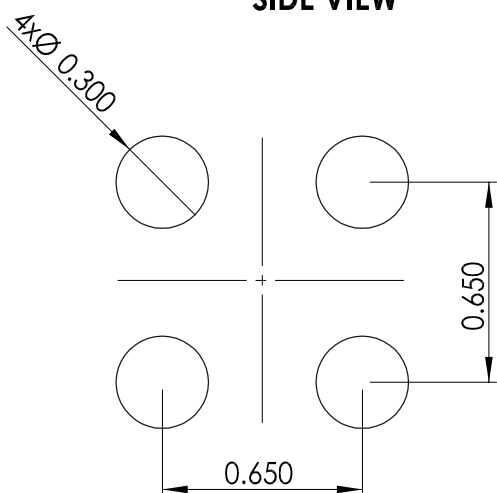
TOP VIEW



BOTTOM VIEW



SIDE VIEW



RECOMMENDED LAND PATTERN

SYMBOLS	DIM. IN MM			DIM. IN INCH		
	MIN.	NOM.	MAX.	MIN.	NOM.	MAX.
A	0.106	0.136	0.166	0.004	0.005	0.007
b	0.270	0.300	0.330	0.011	0.012	0.013
D	1.170	1.200	1.230	0.046	0.047	0.048
E	1.170	1.200	1.230	0.046	0.047	0.048
e	0.650BSC.			0.026BSC.		
k1	---	0.125	---	---	0.005	---
K2	---	0.125	---	---	0.005	---

NOTE:

1. CONTROLLED DIMENSIONS ARE IN MILLIMETERS.
2. TOP VIEW IS THE VIEW OF TOP SURFACE OF THE PART HAVING INDEX AND PART NUMBER MARKING.