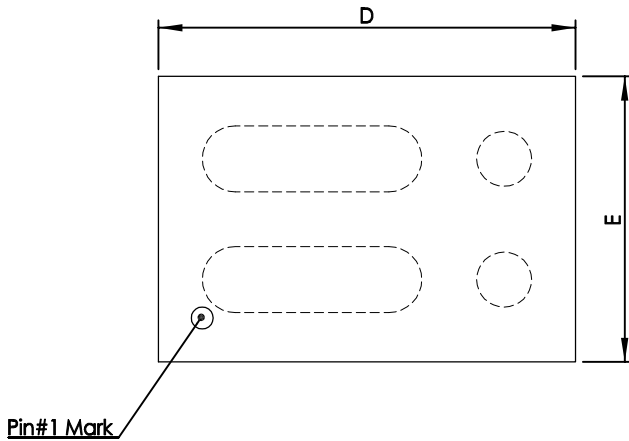
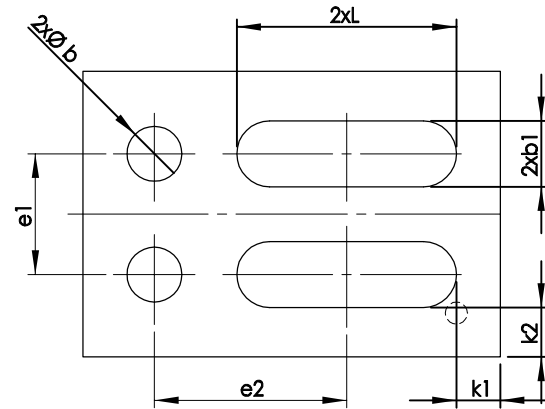




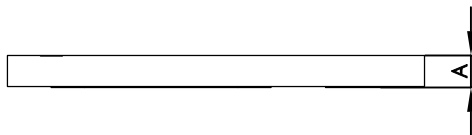
AlphaDFN1.90x1.30A_4 PACKAGE OUTLINE



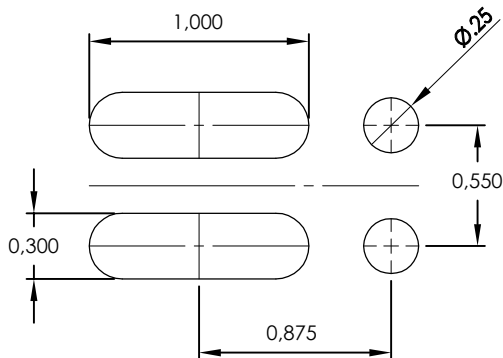
TOP VIEW



BOTTOM VIEW



SIDE VIEW



RECOMMENDED LAND PATTERN

SYMBOLS	DIM. IN MM			DIM. IN INCH		
	MIN.	NOM.	MAX.	MIN.	NOM.	MAX.
A	0.117	0.147	0.177	0.0046	0.0058	0.0070
D	1.870	1.900	1.930	0.0736	0.0748	0.0760
E	1.270	1.300	1.330	0.0500	0.0512	0.0524
b	0.220	0.250	0.280	0.0087	0.0098	0.0110
b1	0.270	0.300	0.330	0.0106	0.0118	0.0130
e1	0.550BSC.			0.0217BSC.		
e2	0.875BSC.			0.0344BSC.		
L	0.970	1.000	1.030	0.0382	0.0394	0.0406
k1	---	0.200	---	---	0.0079	---
k2	---	0.225	---	---	0.0089	---

NOTE:

- CONTROLLED DIMENSIONS ARE IN MILLIMETERS.
- TOP VIEW IS THE VIEW OF TOP SURFACE OF THE PART HAVING INDEX AND PART NUMBER MARKING.