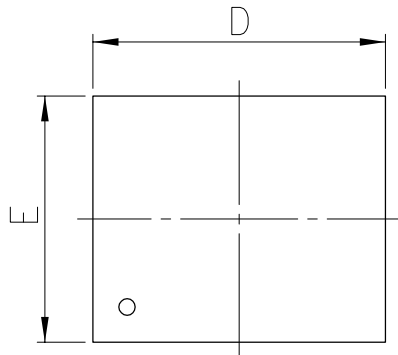
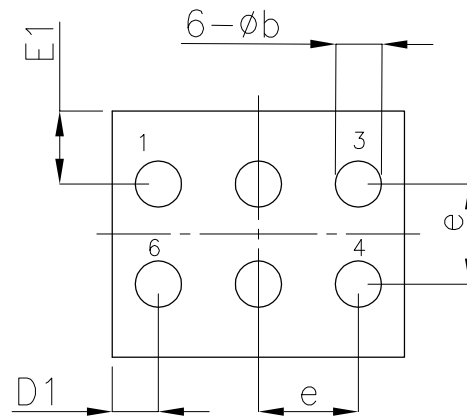


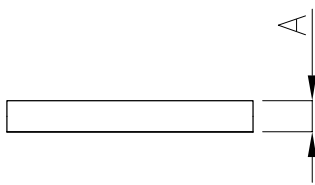
AlphaDFN1.9x1.6_6 PACKAGE OUTLINE



FRONT VIEW

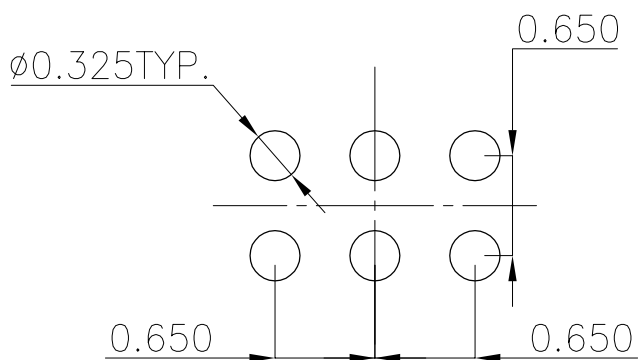


BOTTOM VIEW



SIDE VIEW

RECOMMENDED LANDPATTERN



SYMBOLS	DIMENSIONS IN MM			DIMENSIONS IN INCH		
	MIN.	NOM.	MAX.	MIN.	NOM.	MAX.
A	---	---	0.130	---	---	0.005
b	0.275	0.300	0.325	0.011	0.012	0.013
D	1.870	1.900	1.930	0.074	0.075	0.076
D1	0.270	0.300	0.330	0.011	0.012	0.013
E	1.570	1.600	1.630	0.062	0.063	0.064
E1	0.445	0.475	0.505	0.018	0.019	0.020
e	0.65BSC.			0.026BSC.		

UNIT: mm

NOTE:

1. CONTROLLED DIMENSION IS IN MILLIMETER.
2. THE SCRIBE LINE IS NOT INCLUDED IN THE POD.