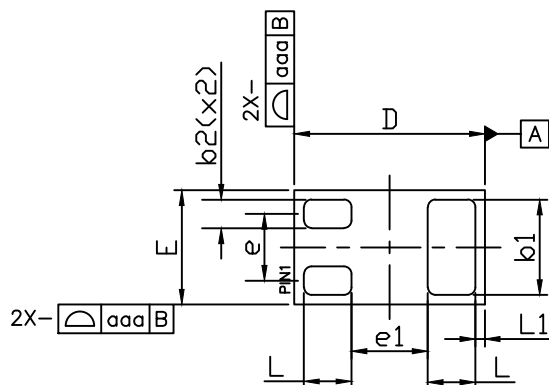
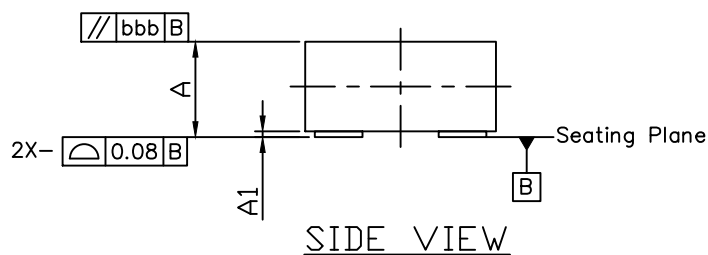
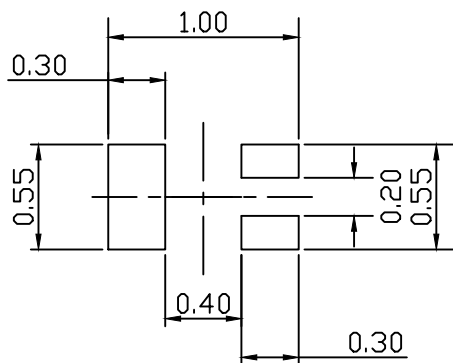




## DFN1.0x0.6\_3L\_EP1\_S PACKAGE OUTLINE



### RECOMMENDED LAND PATTERN



UNIT: mm

SYMBOLS	DIMENSIONS IN MILLIMETERS			DIMENSIONS IN INCHES		
	MIN	NOM	MAX	MIN	NOM	MAX
A	0.47	0.52	0.55	0.019	0.020	0.022
A1	0.00	0.03	0.05	0.000	0.001	0.002
b1	0.45	0.50	0.55	0.018	0.020	0.022
b2	0.10	0.15	0.20	0.004	0.006	0.008
D	0.95	1.00	1.05	0.037	0.039	0.041
E	0.55	0.60	0.65	0.022	0.024	0.026
e	---	0.35	---	---	0.014	---
e1	---	0.40	---	---	0.016	---
L	0.20	0.25	0.30	0.008	0.010	0.012
L1	---	0.05	---	---	0.002	---
aaa	0.15			0.006		
bbb	0.05			0.002		

### NOTE

1. ALL DIMENSION ARE IN MILLIMETERS. ANGLES ARE IN DEGREES.
2. COPLANARITY APPLIES TO THE EXPOSED HEAT SINK SLUG AS WELL AS THE TERMINALS.