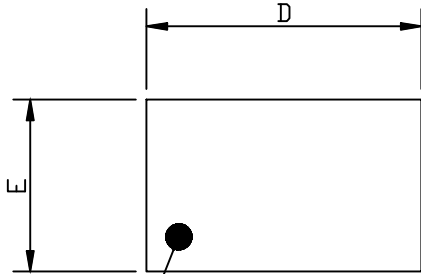


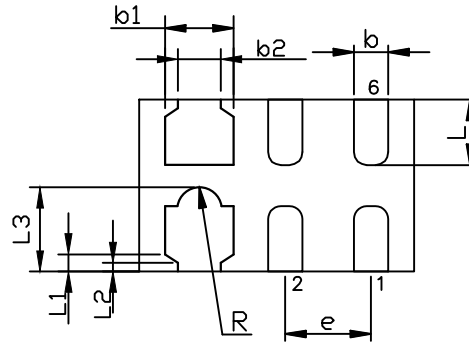


DFN1.6x1.0\_6L\_EP2\_S PACKAGE OUTLINE

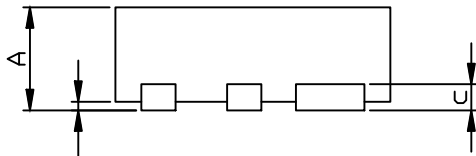


PIN 1# DOT BY MARKING

TOP VIEW

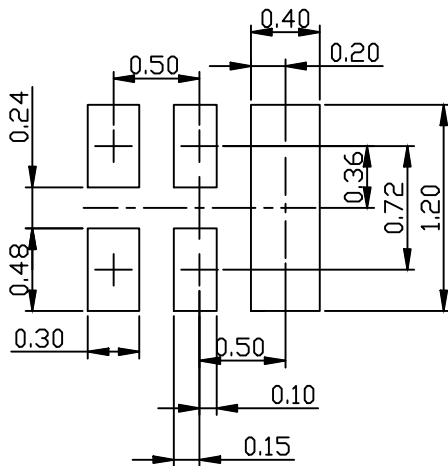


BOTTOM VIEW



SIDE VIEW

RECOMMENDED LAND PATTERN



UNIT: mm

NOTE

1. CONTROLLING DIMENSION IS MILLIMETER.  
CONVERTED INCH DIMENSIONS ARE NOT NECESSARILY EXACT.

SYMBOLS	DIMENSIONS IN MILLIMETERS			DIMENSIONS IN INCHES		
	MIN	NDM	MAX	MIN	NDM	MAX
A	0.50	0.55	0.60	0.0196	0.0216	0.0236
A1	---	0.02	0.05	----	0.0007	0.0019
b	0.15	0.20	0.25	0.0059	0.0078	0.0098
b1	0.35	0.40	0.45	0.0137	0.0157	0.0177
b2	0.20	0.25	0.30	0.0078	0.0098	0.0118
c	0.10	0.15	0.20	0.0039	0.0059	0.0078
D	1.55	1.60	1.65	0.0610	0.0629	0.0649
e	0.50 BSC			0.0196 BSC		
E	0.95	1.00	1.05	0.0374	0.0393	0.0413
L	0.33	0.38	0.43	0.0129	0.0150	0.0169
L1	0.10 BSC			0.0039 BSC		
L2	0.05 BSC			0.0019 BSC		
L3	0.49 BSC			0.0192 BSC		
L3	0.08	0.13	0.18	0.0031	0.0051	0.0071