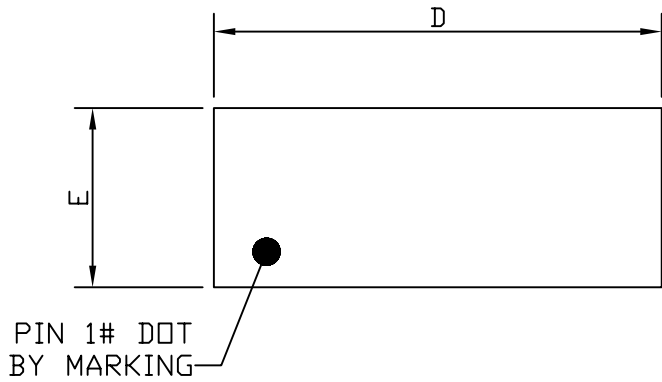
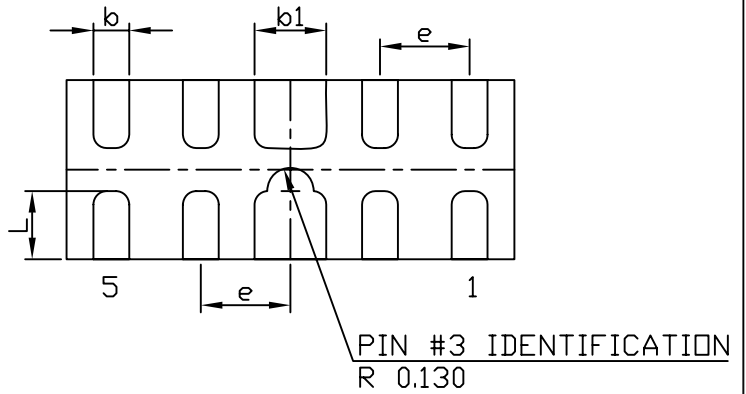




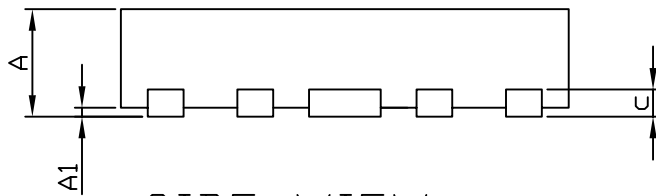
DFN2.5x1.0_10L_EP2_S PACKAGE OUTLINE



TOP VIEW

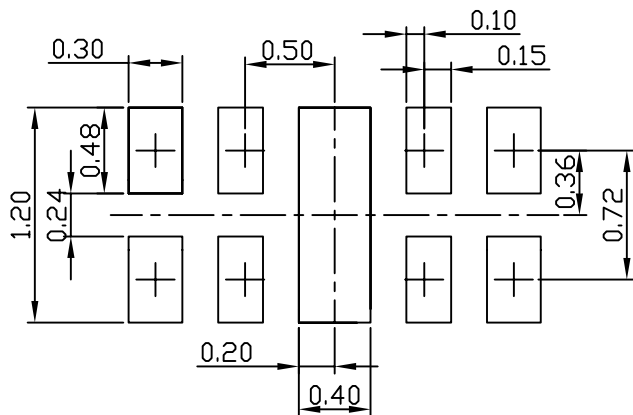


BOTTOM VIEW



SIDE VIEW

RECOMMENDED LAND PATTERN



UNIT: mm

SYMBOLS	DIMENSIONS IN MILLIMETERS			DIMENSIONS IN INCHES		
	MIN	NOM	MAX	MIN	NOM	MAX
A	0.50	0.55	0.60	0.020	0.022	0.024
A1	0.00	---	0.05	0.000	---	0.002
b	0.15	0.20	0.25	0.006	0.008	0.010
b1	0.40			0.016		
c	0.152 Ref.			0.006 Ref.		
D	2.45	2.50	2.55	0.096	0.098	0.100
E	0.95	1.00	1.05	0.037	0.039	0.041
e	0.50 BSC			0.020 BSC		
L	0.33	0.38	0.43	0.013	0.015	0.017

NOTE

1. CONTROLLING DIMENSION IS MILLIMETER.
CONVERTED INCH DIMENSIONS ARE NOT NECESSARILY EXACT.