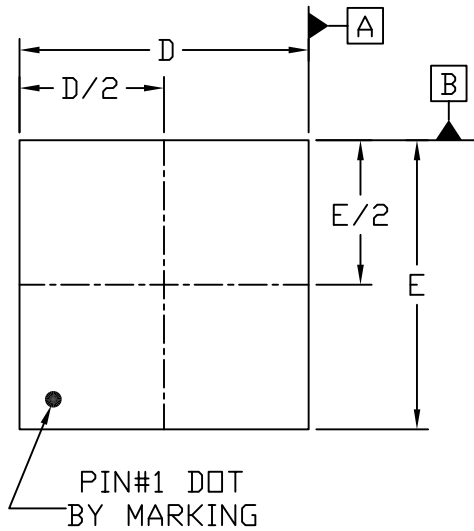
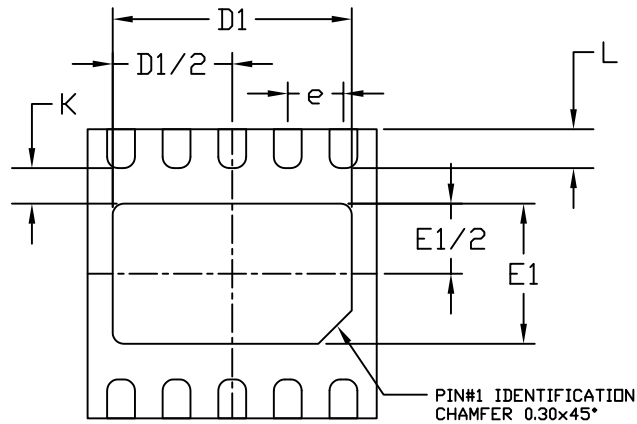




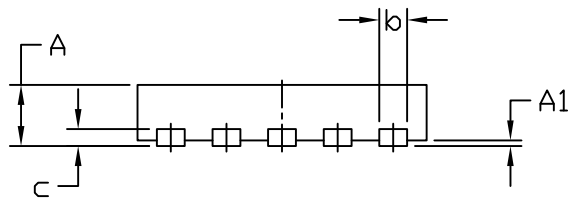
DFN2.6x2.6_10L_EP1_S PACKAGE OUTLINE



TOP VIEW

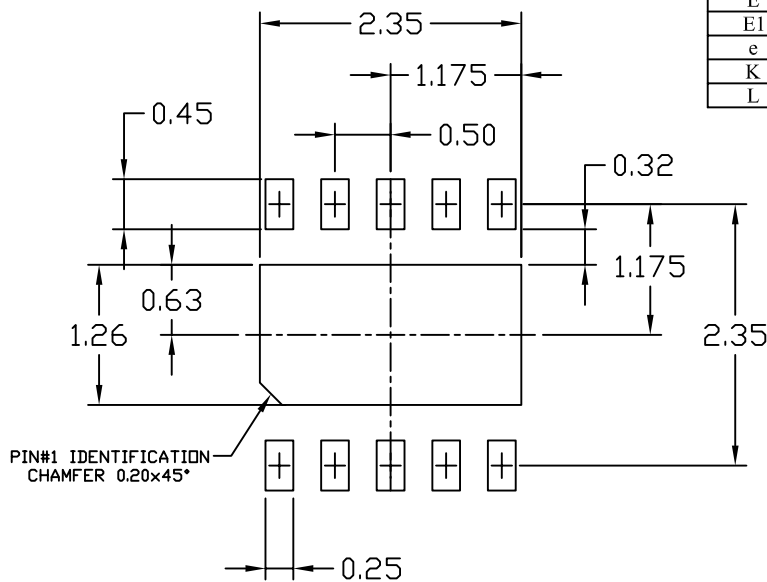


BOTTOM VIEW



SIDE VIEW

RECOMMENDED LAND PATTERN



UNIT: mm

SYMBOLS	DIMENSIONS IN MILLIMETERS			DIMENSIONS IN INCHES		
	MIN	NOM	MAX	MIN	NOM	MAX
A	0.50	0.55	0.60	0.020	0.022	0.024
A1	0.00	---	0.05	0.000	---	0.002
b	0.20	0.25	0.30	0.008	0.010	0.012
c	0.152 REF.			0.006 REF.		
D	2.55	2.60	2.65	0.100	0.102	0.104
D1	2.10	2.15	2.20	0.083	0.085	0.087
E	2.55	2.60	2.65	0.100	0.102	0.104
E1	1.21	1.26	1.31	0.048	0.050	0.052
e	0.50 BSC			0.020 BSC		
K	0.32 REF.			0.013 BSC		
L	0.30	0.35	0.40	0.012	0.014	0.016

NOTE

1. CONTROLLING DIMENSION IS MILLIMETER.
CONVERTED INCH DIMENSIONS ARE NOT NECESSARILY EXACT.