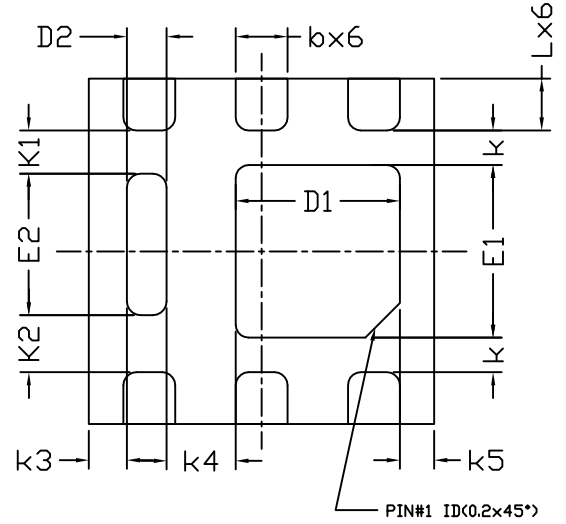
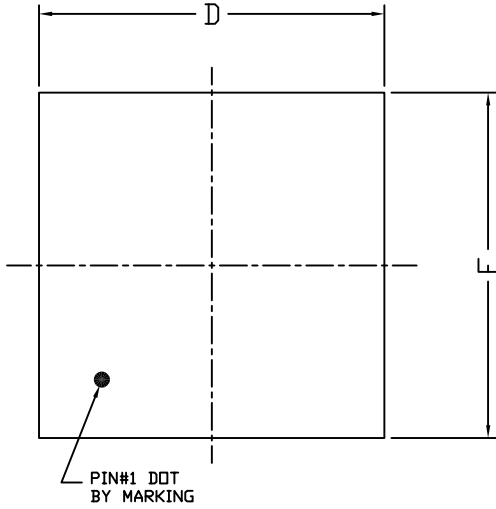
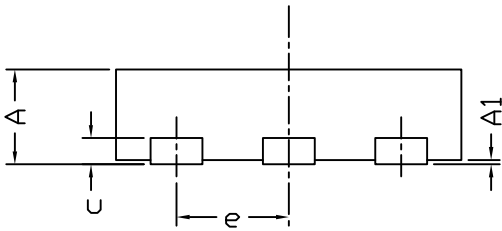




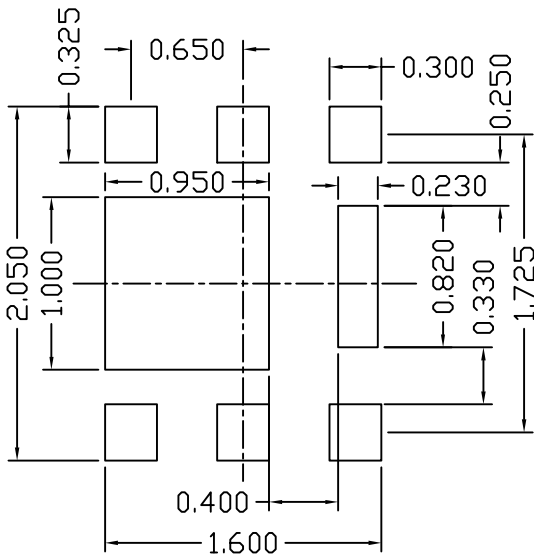
DFN2x2B_6L_EP1_S PACKAGE OUTLINE



BOTTOM VIEW



RECOMMENDED LAND PATTERN



UNIT: mm

SYMBOLS	DIMENSIONS IN MILLIMETERS			DIMENSIONS IN INCHES		
	MIN	NOM	MAX	MIN	NOM	MAX
A	0.50	0.55	0.60	0.020	0.022	0.024
A1	0.00	---	0.05	0.000	---	0.002
b	0.25	0.30	0.35	0.010	0.012	0.014
c	0.152 REF			0.006 REF		
D	1.90	2.00	2.10	0.075	0.079	0.083
D1	0.85	0.95	1.05	0.033	0.037	0.041
D2	0.13	0.23	0.33	0.005	0.009	0.013
E	1.90	2.00	2.10	0.075	0.079	0.083
E1	0.90	1.00	1.10	0.035	0.039	0.043
E2	0.72	0.82	0.92	0.028	0.032	0.036
e	0.65 BSC			0.026 BSC		
K	0.10	0.20	0.30	0.004	0.008	0.012
K1	0.15	0.25	0.35	0.006	0.010	0.014
K2	0.23	0.33	0.43	0.009	0.013	0.017
K3	0.12	0.22	0.32	0.005	0.009	0.013
K4	0.30	0.40	0.50	0.012	0.016	0.020
K5	0.10	0.20	0.30	0.004	0.008	0.012
L	0.25	0.30	0.35	0.010	0.012	0.014

NOTE

1. CONTROLLING DIMENSION IS MILLIMETER.
CONVERTED INCH DIMENSIONS ARE NOT NECESSARILY EXACT.