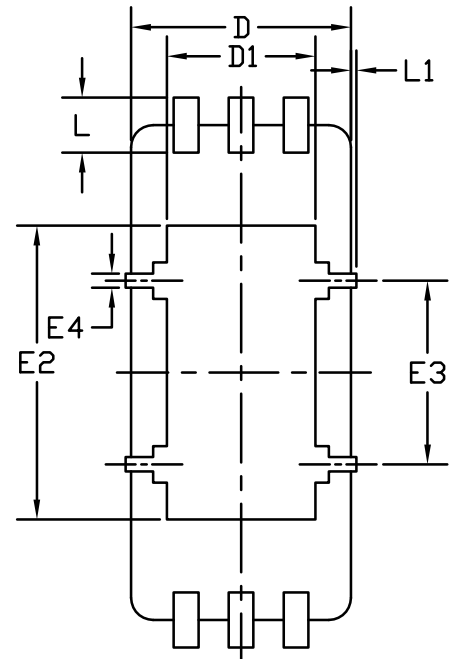
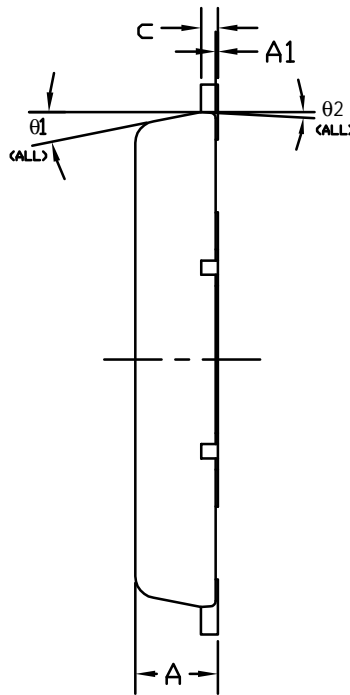
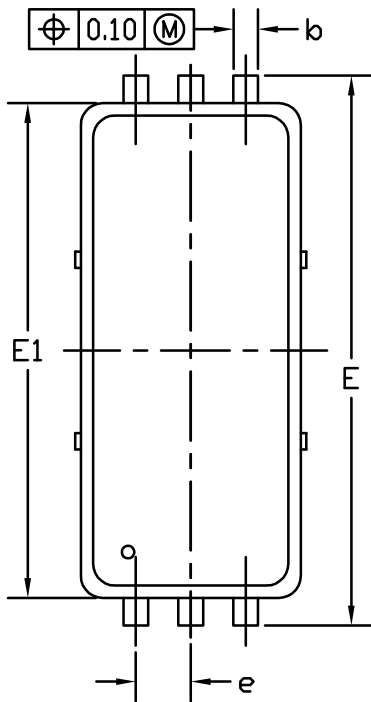


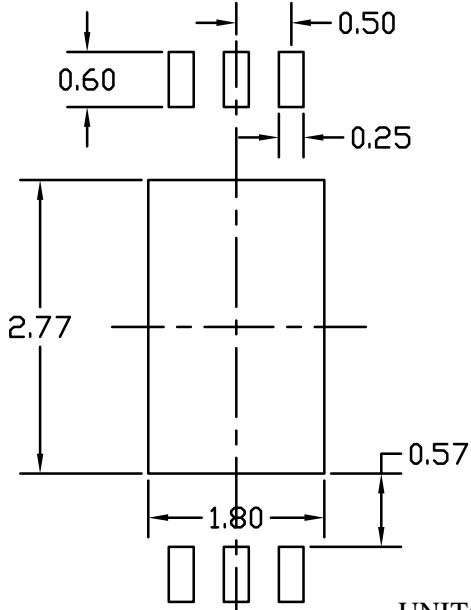


DFN2x5_6L_EP1_P PACKAGE OUTLINE



BOTTOM VIEW

RECOMMENDED LAND PATTERN



UNIT: mm

SYMBOLS	DIMENSIONS IN MILLIMETERS			DIMENSIONS IN INCHES		
	MIN	NOM	MAX	MIN	NOM	MAX
A	0.70	0.75	0.80	0.028	0.030	0.031
A1	0.00	---	0.05	0.000	---	0.002
b	0.20	0.23	0.30	0.008	0.009	0.012
c	0.10	0.15	0.20	0.004	0.006	0.008
D	1.90	2.00	2.10	0.075	0.079	0.083
D1	1.30	1.35	1.55	0.051	0.053	0.061
E	4.90	5.00	5.10	0.193	0.197	0.201
E1	4.40	4.50	4.60	0.173	0.177	0.181
E2	2.60	2.67	2.95	0.102	0.105	0.116
E3	1.62	1.67	1.72	0.064	0.066	0.068
E4	0.08	0.13	0.18	0.003	0.005	0.007
e	0.45	0.50	0.55	0.018	0.020	0.022
L	0.40	0.50	0.60	0.016	0.020	0.024
L1	0	---	0.10	0	---	0.004
theta1	0°	10°	12°	0°	10°	12°
theta2	0°	3°	5°	0°	3°	5°

NOTE

1. PACKAGE BODY SIZES EXCLUDE MOLD FLASH AND GATE BURRS.
MOLD FLASH AT THE NON-LEAD SIDES SHOULD BE LESS THAN 6 MIL EACH.
2. CONTROLLING DIMENSION IS MILLIMETER.
CONVERTED INCH DIMENSIONS ARE NOT NECESSARILY EXACT.