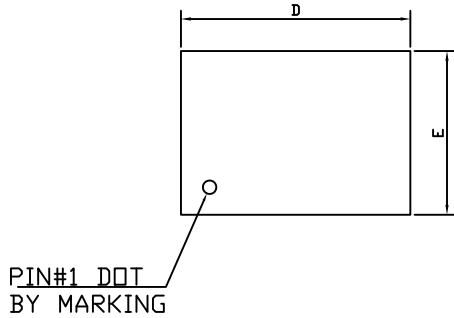


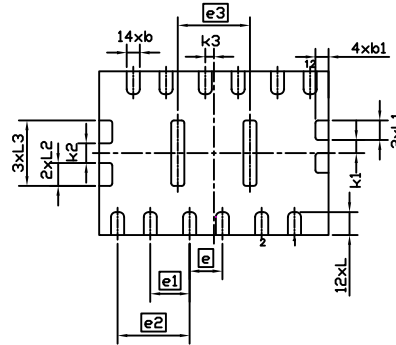


Document No.	PO-00206
Version	A

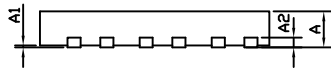
DFN3.5x2.5_12L_EP2_S PACKAGE OUTLINE



TOP VIEW

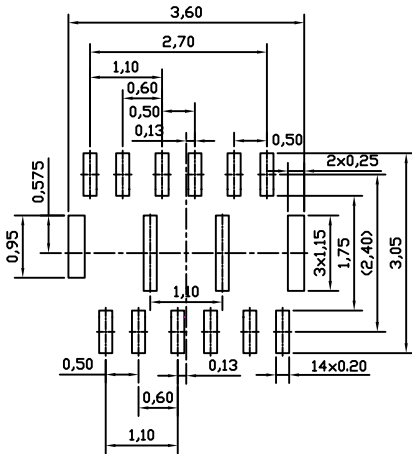


BOTTOM VIEW



SIDE VIEW

RECOMMENDED LAND PATTERN



SYMBOLS	DIMENSIONS IN MILLIMETERS			DIMENSIONS IN INCHES		
	MIN	NOM	MAX	MIN	NOM	MAX
A	0.50	0.55	0.60	0.020	0.022	0.024
A1	0.00	---	0.05	0.000	---	0.002
A2	(0.15)			(0.006)		
b	0.15	0.20	0.25	0.006	0.008	0.010
b1	0.10	0.20	0.30	0.004	0.008	0.012
D	3.40	3.50	3.60	0.134	0.138	0.142
E	2.40	2.50	2.60	0.094	0.098	0.102
e	0.50 BSC			0.020 BSC		
e1	0.60 BSC			0.024 BSC		
e2	1.10 BSC			0.043 BSC		
e3	1.10 BSC			0.043 BSC		
k1	(0.20)			(0.008)		
k2	(0.30)			(0.012)		
k3	(0.13)			(0.005)		
L	0.30	0.35	0.40	0.012	0.014	0.016
L1	0.25	0.30	0.35	0.010	0.012	0.014
L2	0.30	0.35	0.40	0.012	0.014	0.016
L3	0.90	1.00	1.10	0.035	0.039	0.043

UNIT: mm

NOTE

1. CONTROLLING DIMENSION IS MILLIMETER.
CONVERTED INCH DIMENSIONS ARE NOT NECESSARILY EXACT.
2. TOLERANCE :± 0.05 UNLESS OTHERWISE SPECIFIED.
3. RADIUS ON ALL CORNER ARE 0.152 MAX., UNLESS OTHERWISE SPECIFIED.
4. PACKAGE WARPAGE: 0.012 MAX.
5. NO ANY PLASTIC FLASH ALLOWED ON THE TOP AND BOTTOM LEAD SURFACE.
6. PAD PLANARITY: ± 0.102
7. CRACK BETWEEN PLASTIC BODY AND LEAD IS NOT ALLOWED.