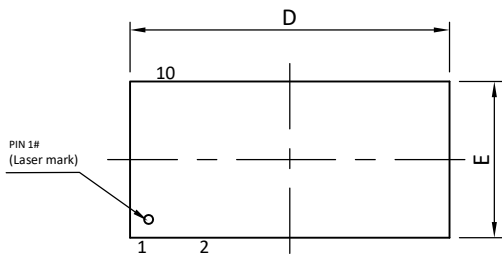
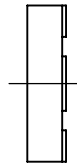




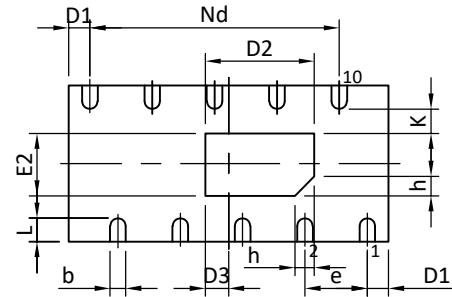
DFN4.1x2.0_10L_EP1_S Package Outline



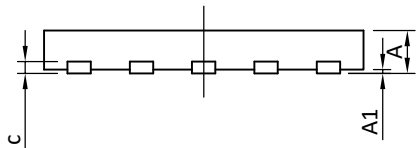
TOP VIEW



SIDE VIEW



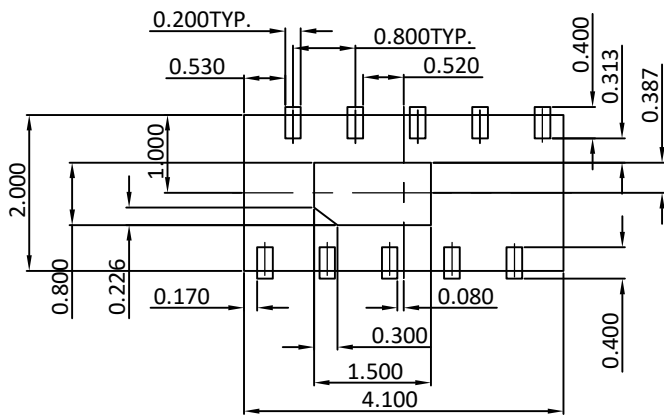
BOTTOM VIEW



SIDE VIEW

SYMBOLS	DIMENSION IN MILLIMETRES			DIMENSION IN INCHS		
	MIN.	NOM.	MAX.	MIN.	NOM.	MAX.
A	0.45	0.50	0.55	0.018	0.020	0.022
A1	---	0.02	0.05	----	0.001	0.002
b	0.15	0.20	0.25	0.006	0.008	0.010
c	0.10	0.15	0.20	0.004	0.006	0.008
D	4.00	4.10	4.20	0.157	0.161	0.165
D1	0.20	0.25	0.30	0.008	0.010	0.012
D2	1.30	1.40	1.50	0.051	0.055	0.059
D3	0.25	0.30	0.35	0.010	0.012	0.014
e	0.80 BSC			0.031 BSC		
Nd	3.20 BSC			0.126 BSC		
E	1.90	2.00	2.10	0.075	0.079	0.083
E2	0.70	0.80	0.90	0.028	0.031	0.035
K	0.20	---	---	0.008	----	----
L	0.25	0.30	0.35	0.010	0.012	0.014
h	0.15	0.20	0.25	0.006	0.008	0.010

LAND PATTERN RECOMMENDATIONS



UNIT: mm

NOTES

1. CONTROLLING DIMENSION IS MILLIMETER.
CONVERTED INCH DIMENSIONS ARE NOT NECESSARILY EXACT.