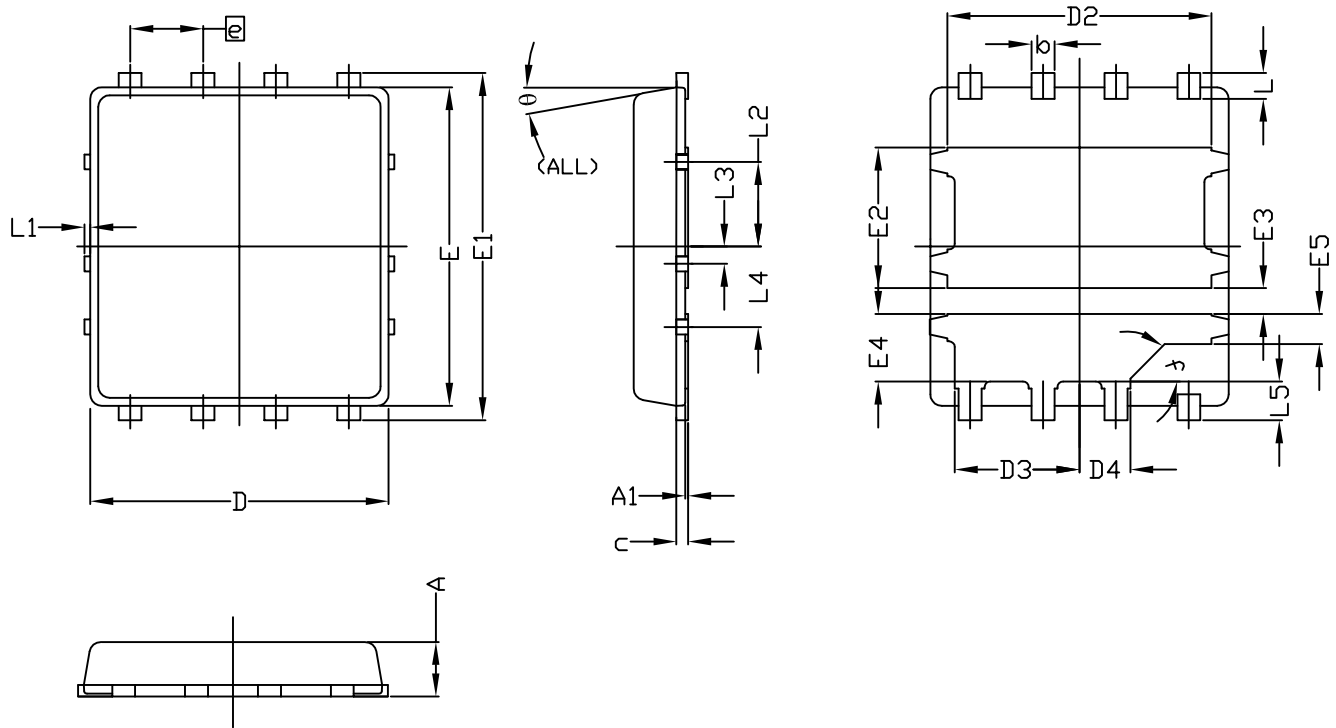
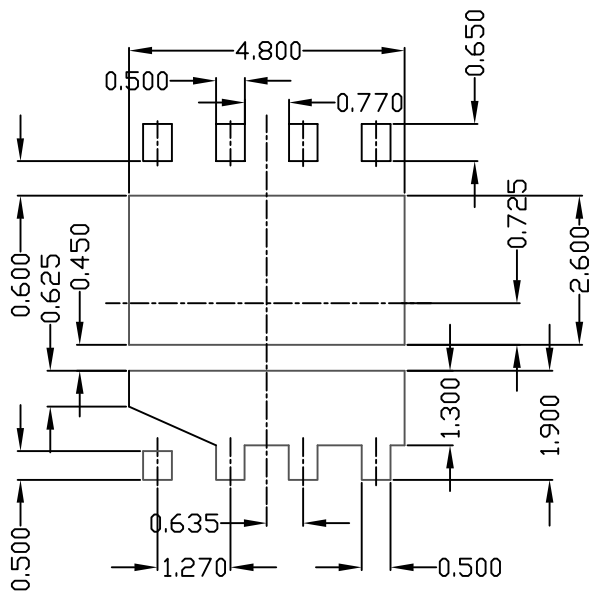




DFN5x6B\_8L\_EP2\_P PACKAGE OUTLINE



RECOMMENDED LAND PATTERN



SYMBOLS	DIMENSIONS IN MILLIMETERS			DIMENSIONS IN INCHES		
	MIN	NOM	MAX	MIN	NOM	MAX
A	0.85	0.90	1.00	0.033	0.035	0.039
A1	0.00	---	0.05	0.000	---	0.002
b	0.35	0.40	0.45	0.014	0.016	0.018
c	0.15	0.20	0.25	0.006	0.008	0.010
D	5.20 BSC			0.205 BSC		
D2	4.50	4.60	4.70	0.177	0.181	0.185
D3	2.125	2.175	2.225	0.084	0.086	0.088
D4	0.835	0.885	0.935	0.033	0.035	0.037
E	5.55 BSC			0.219 BSC		
E1	6.05 BSC			0.238 BSC		
E2	2.40	2.45	2.50	0.094	0.096	0.098
E3	0.40	0.45	0.50	0.016	0.018	0.020
E4	1.125	1.175	1.225	0.044	0.046	0.048
E5	0.475	0.525	0.575	0.019	0.021	0.023
e	1.27 BSC			0.050 BSC		
L	0.35	0.45	0.55	0.014	0.018	0.022
L1	0	---	0.10	0	---	0.004
L2	1.375	1.475	1.575	0.054	0.058	0.062
L3	0.20	0.30	0.40	0.008	0.012	0.016
L4	1.30	1.40	1.50	0.051	0.055	0.059
L5	0.575	0.675	0.775	0.023	0.027	0.031
f	45°			45°		
θ	0°	---	10°	0°	---	10°

UNIT: mm

NOTE

1. PACKAGE BODY SIZES EXCLUDE MOLD FLASH AND GATE BURRS.  
MOLD FLASH AT THE NON-LEAD SIDES SHOULD BE LESS THAN 6 MILS EACH.
2. CONTROLLING DIMENSION IS MILLIMETER.  
CONVERTED INCH DIMENSIONS ARE NOT NECESSARILY EXACT.