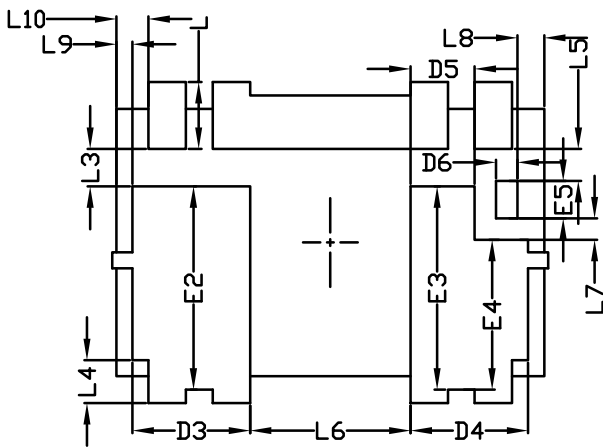
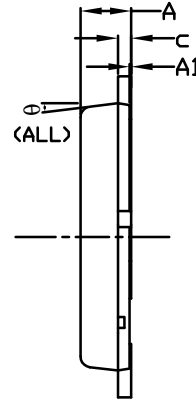
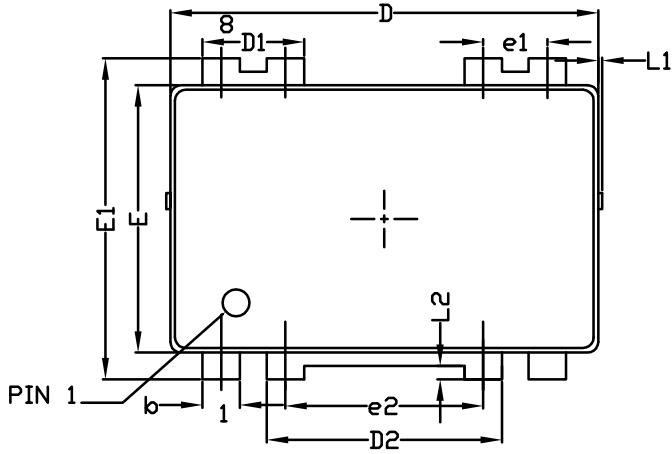
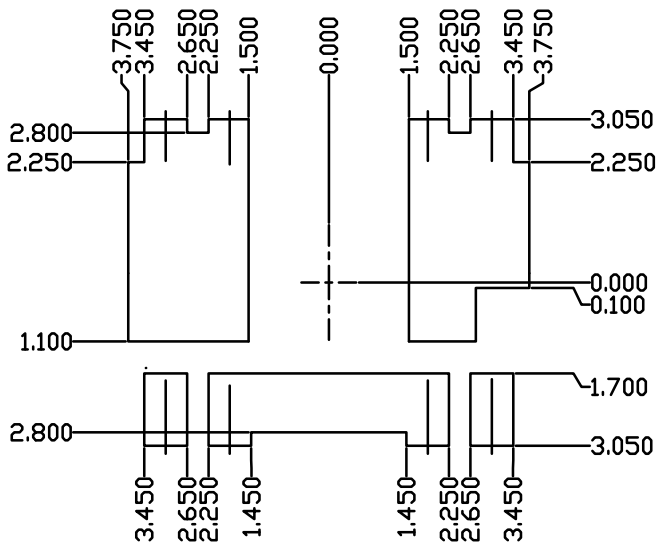




DFN8x6_8L_EP2_P PACKAGE OUTLINE



RECOMMENDED LAND PATTERN



SYMBOLS	DIMENSIONS IN MILLIMETERS		
	MIN.	NOM.	MAX.
A	0.85	0.95	1.05
A1	0.00	-	0.05
b	0.60	0.70	0.80
c	0.20	0.25	0.30
D	7.80	8.00	8.20
D1	1.80	1.90	2.00
D2	4.30	4.40	4.50
D3	2.10	2.20	2.30
D4	2.10	2.20	2.30
D5	1.10	1.20	1.30
D6	0.30	0.40	0.50
E	4.80	5.00	5.20
E1	5.80	6.00	6.20
E2	3.70	3.80	3.90
E3	3.70	3.80	3.90
E4	2.70	2.80	2.90
E5	0.60	0.70	0.80
e1	1.2BSC		
e2	3.7BSC		
L	1.15	1.25	1.35
L1	0.00	-	0.15
L2	0.25REF		
L3	0.7REF		
L4	0.70	0.80	0.90
L5	0.50	0.60	0.70
L6	2.90	3.00	3.10
L7	0.30	0.40	0.50
L8	0.40	0.50	0.60
L9	0.20	0.30	0.40
L10	0.50	0.60	0.70
θ	0°	-	12°

NOTE

1. PACKAGE BODY SIZES EXCLUDE MOLD FLASH AND GATE BURRS.
MOLD FLASH AT THE NON-LEAD SIDES SHOULD BE LESS THAN 6 MILS EACH.

UNIT: mm