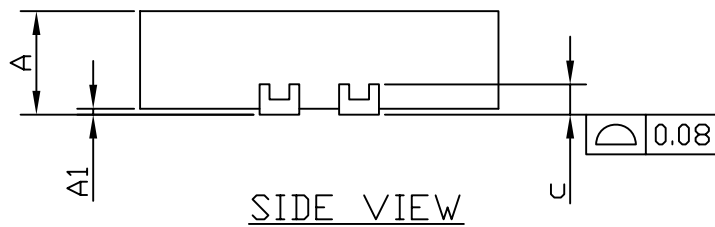
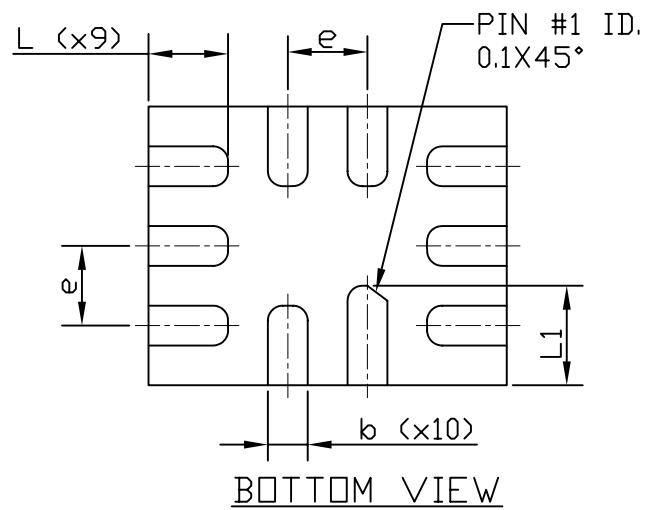
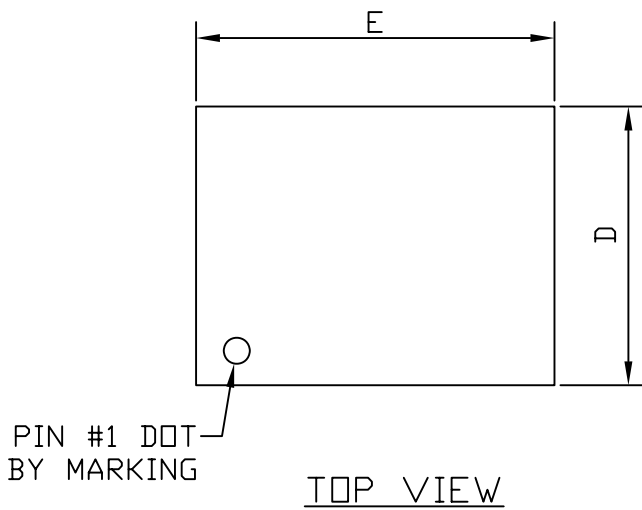
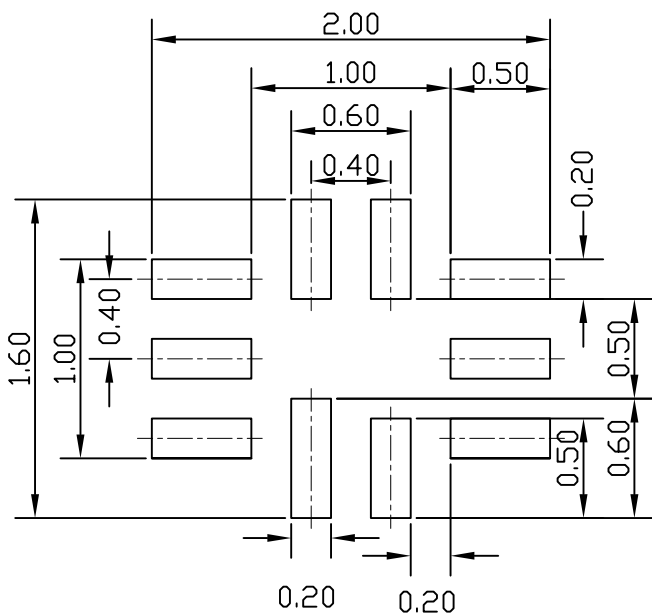




QFN1.8x1.4A_10L_NEP_S PACKAGE OUTLINE



RECOMMENDED LAND PATTERN



SYMBOLS	DIMENSIONS IN MILLIMETERS			DIMENSIONS IN INCHES		
	MIN	NOM	MAX	MIN	NOM	MAX
A	0.50	0.55	0.60	0.020	0.022	0.024
A1	0.00	---	0.05	0.000	---	0.002
b	0.15	0.20	0.25	0.006	0.008	0.010
c	0.152 REF.			0.006 REF.		
D	1.35	1.40	1.45	0.053	0.055	0.057
E	1.75	1.80	1.85	0.069	0.071	0.073
e	0.40 BSC			0.016 BSC		
L	0.35	0.40	0.45	0.014	0.016	0.018
L1	0.50 REF.			0.020 REF.		

UNIT: mm

NOTE

1. CONTROLLING DIMENSION IS MILLIMETER.
CONVERTED INCH DIMENSIONS ARE NOT NECESSARILY EXACT.
2. ANGLES ARE IN DEGREES.