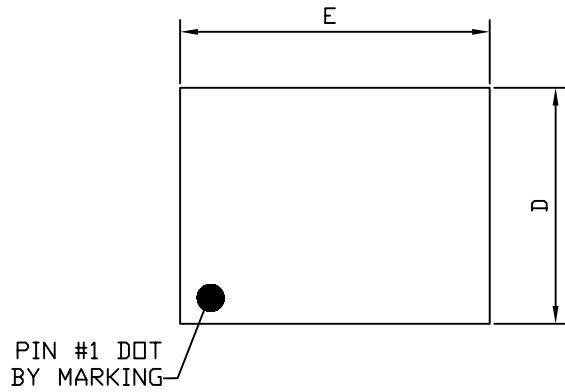
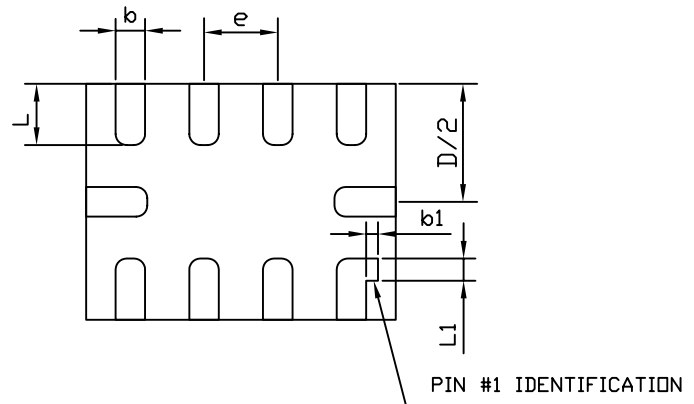




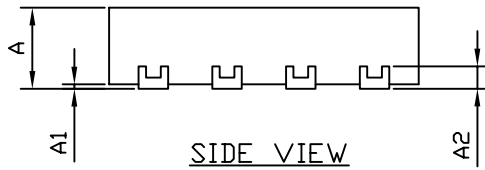
QFN2.1x1.6_10L_NEP_S PACKAGE OUTLINE



TOP VIEW

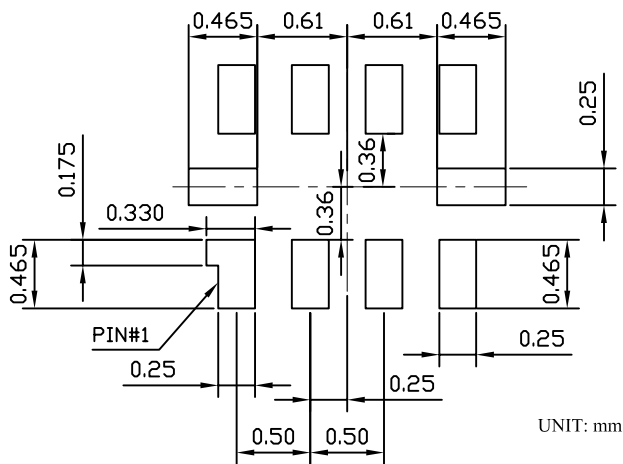


BOTTOM VIEW



SIDE VIEW

RECOMMENDED LAND PATTERN



SYMBOLS	DIMENSIONS IN MILLIMETERS			DIMENSIONS IN INCHES		
	MIN	NOM	MAX	MIN	NOM	MAX
A	0.50	0.55	0.60	0.020	0.022	0.024
A1	0.00	---	0.05	0.000	---	0.002
A2	0.152 REF.			0.006 REF.		
b	0.15	0.20	0.25	0.006	0.008	0.010
b1	0.08 REF.			0.003 REF.		
D	1.55	1.60	1.65	0.061	0.063	0.065
E	2.05	2.10	2.15	0.081	0.083	0.085
e	0.50 BSC			0.020 BSC		
L	0.365	0.415	0.465	0.014	0.016	0.018
L1	0.15 REF.			0.006 REF.		

NOTE:
1. CONTROLLING DIMENSION IS MILLIMETER.
CONVERTED INCH DIMENSIONS ARE NOT NECESSARILY EXACT.