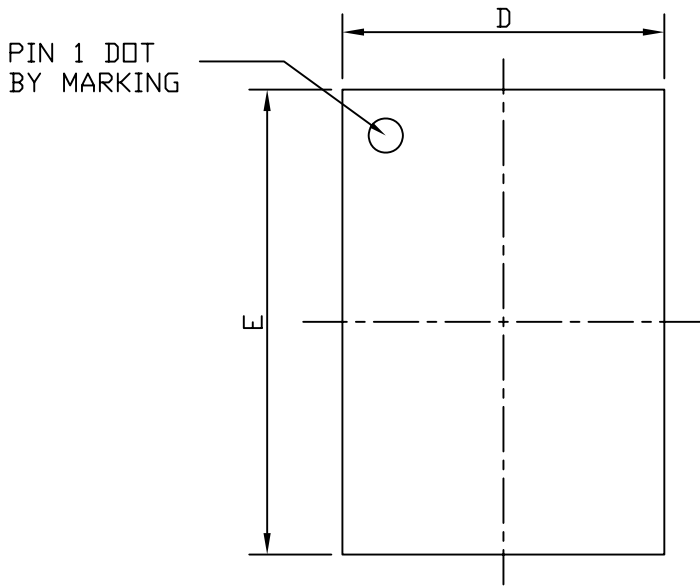
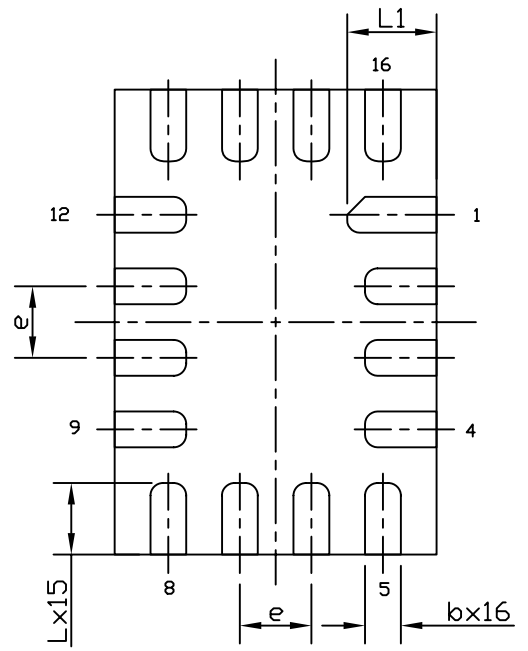




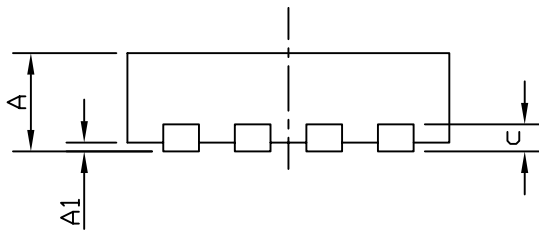
QFN2.6x1.8_16L_NEP_S PACKAGE OUTLINE



TOP VIEW

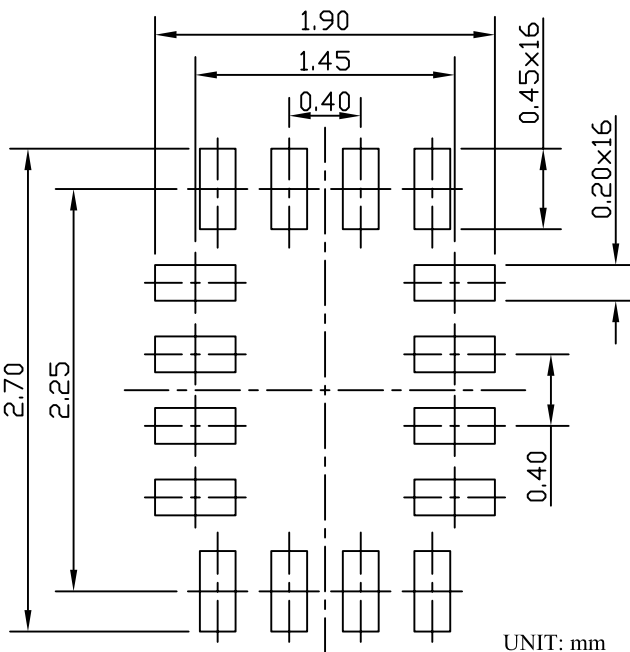


BOTTOM VIEW



SIDE VIEW

RECOMMENDED LAND PATTERN



UNIT: mm

SYMBOLS	DIMENSIONS IN MILLIMETERS			DIMENSIONS IN INCHES		
	MIN	NOM	MAX	MIN	NOM	MAX
A	0.50	0.55	0.60	0.020	0.022	0.024
A1	0.00	---	0.05	0.000	---	0.002
b	0.15	0.20	0.25	0.006	0.008	0.010
c	0.152 BSC			0.006 BSC		
D	1.75	1.80	1.85	0.069	0.071	0.073
E	2.55	2.60	2.65	0.100	0.102	0.104
e	0.40 BSC			0.016 BSC		
L	0.30	0.40	0.50	0.012	0.016	0.020
L1	0.40	0.50	0.60	0.016	0.020	0.024

NOTE

1. CONTROLLING DIMENSION IS MILLIMETER.
CONVERTED INCH DIMENSIONS ARE NOT NECESSARILY EXACT.