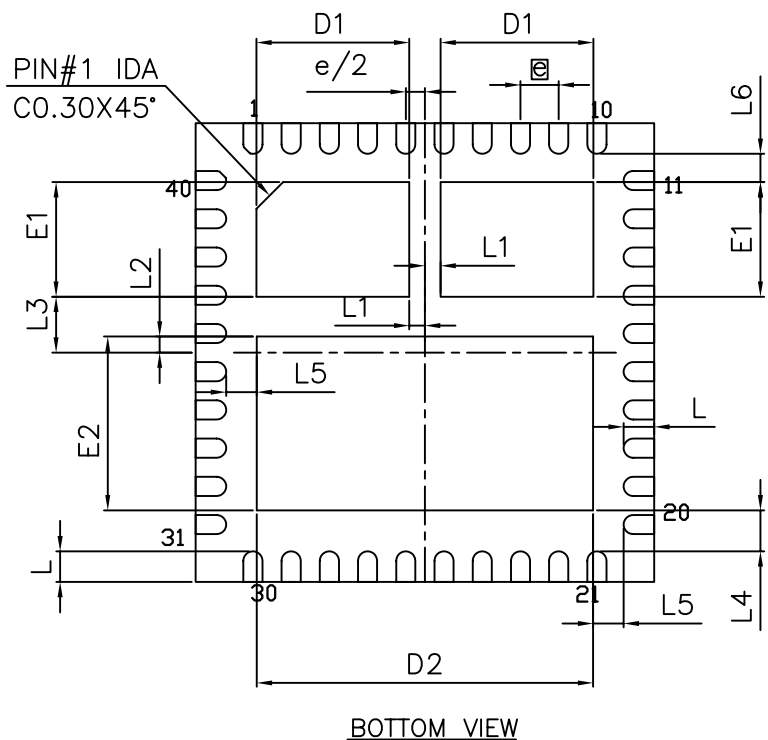
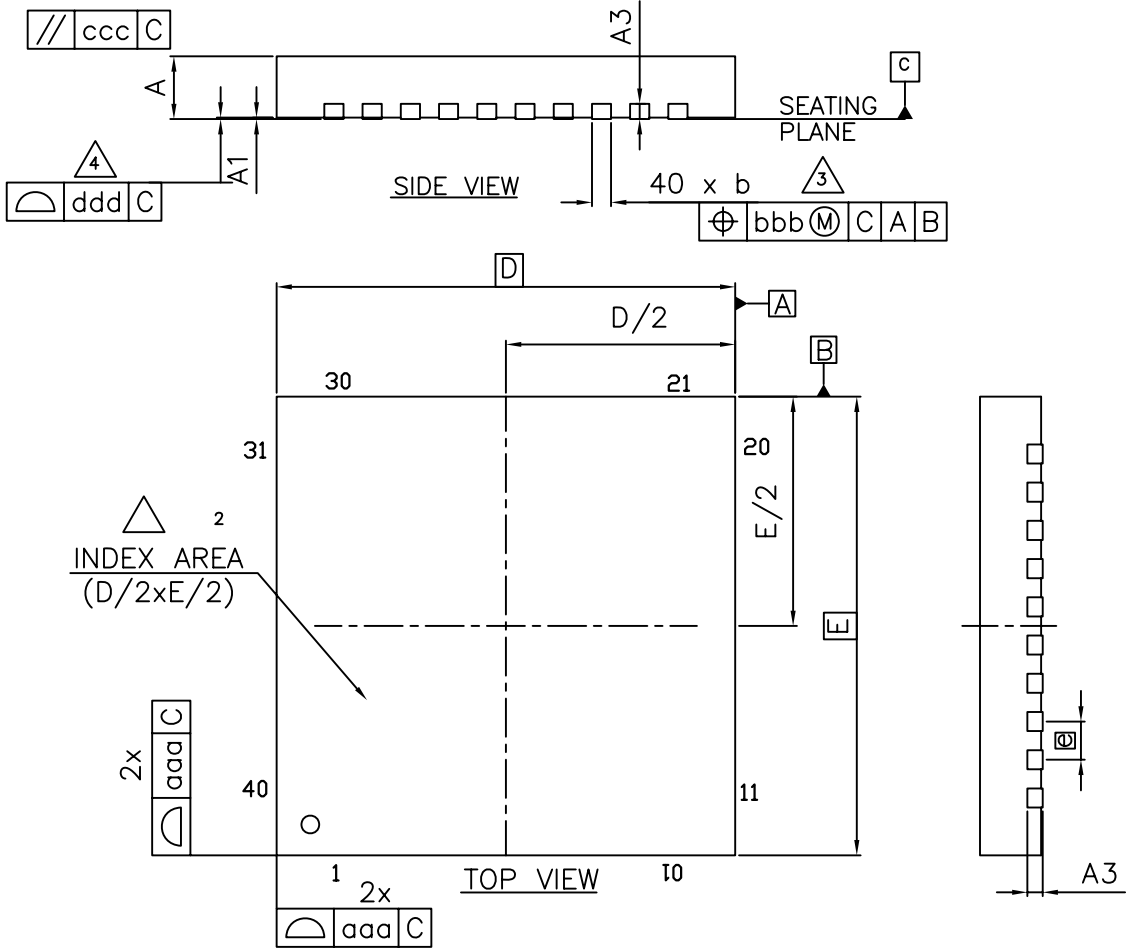




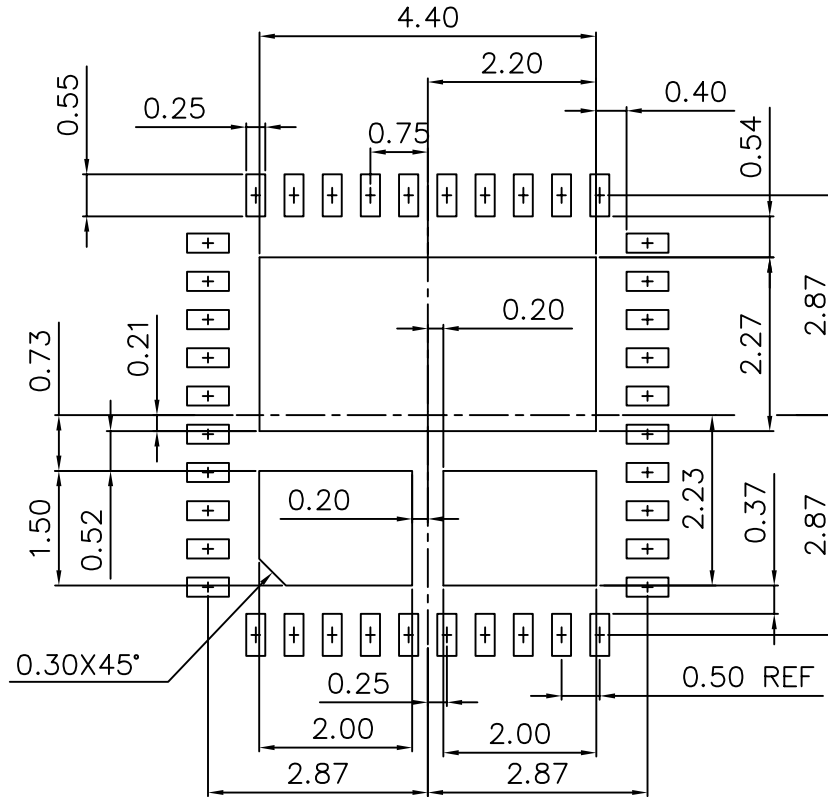
Document No.	PO-00099
Version	B

QFN6x6_40L_EP3_S PACKAGE OUTLINE





QFN6x6_40L_EP3_S PACKAGE OUTLINE
RECOMMENDED LAND PATTERN



UNIT: mm

SYMBOL	DIMENSIONS IN MILLIMETERS			DIMENSIONS IN INCHES		
	MIN.	NOM.	MAX.	MIN.	NOM.	MAX.
A	0.70	0.75	0.80	0.028	0.030	0.031
A1	0.00	0.02	0.05	0.000	0.001	0.002
A3	0.20 REF			0.008 REF		
b	0.20	0.25	0.35	0.008	0.010	0.014
D	6.00 BSC			0.236 BSC		
D1	1.90	2.00	2.10	0.075	0.079	0.083
D2	4.30	4.40	4.50	0.169	0.173	0.177
E	6.00 BSC			0.236 BSC		
E1	1.40	1.50	1.60	0.055	0.059	0.063
E2	2.17	2.27	2.37	0.085	0.089	0.093
Ⓞ	0.50 BSC			0.020 BSC		
L	0.30	0.40	0.50	0.012	0.016	0.020
L1	0.15	0.20	0.25	0.006	0.008	0.010
L2	0.15	0.21	0.26	0.006	0.008	0.010
L3	0.63	0.73	0.83	0.024	0.028	0.032
L4	0.44	0.54	0.64	0.017	0.021	0.025
L5	0.30	0.40	0.50	0.012	0.016	0.020
L6	0.27	0.37	0.47	0.011	0.015	0.019
aaa	0.15			0.006		
bbb	0.10			0.004		
ccc	0.10			0.004		
ddd	0.08			0.003		

Note:

1. All dimensions are in millimeters.

2. The location of the terminal #1 identifier and terminal numbering convention conforms to JEDEC publication 95 SPP-002.

3. Dimension b applies to metallized terminal and is measured between 0.20mm and 0.35mm from the terminal tip. If the terminal has the optional radius on the other end of the terminal, the dimension b should not be measured in that radius area.

4. Coplanarity applies to the terminals and all other bottom surface metallization.