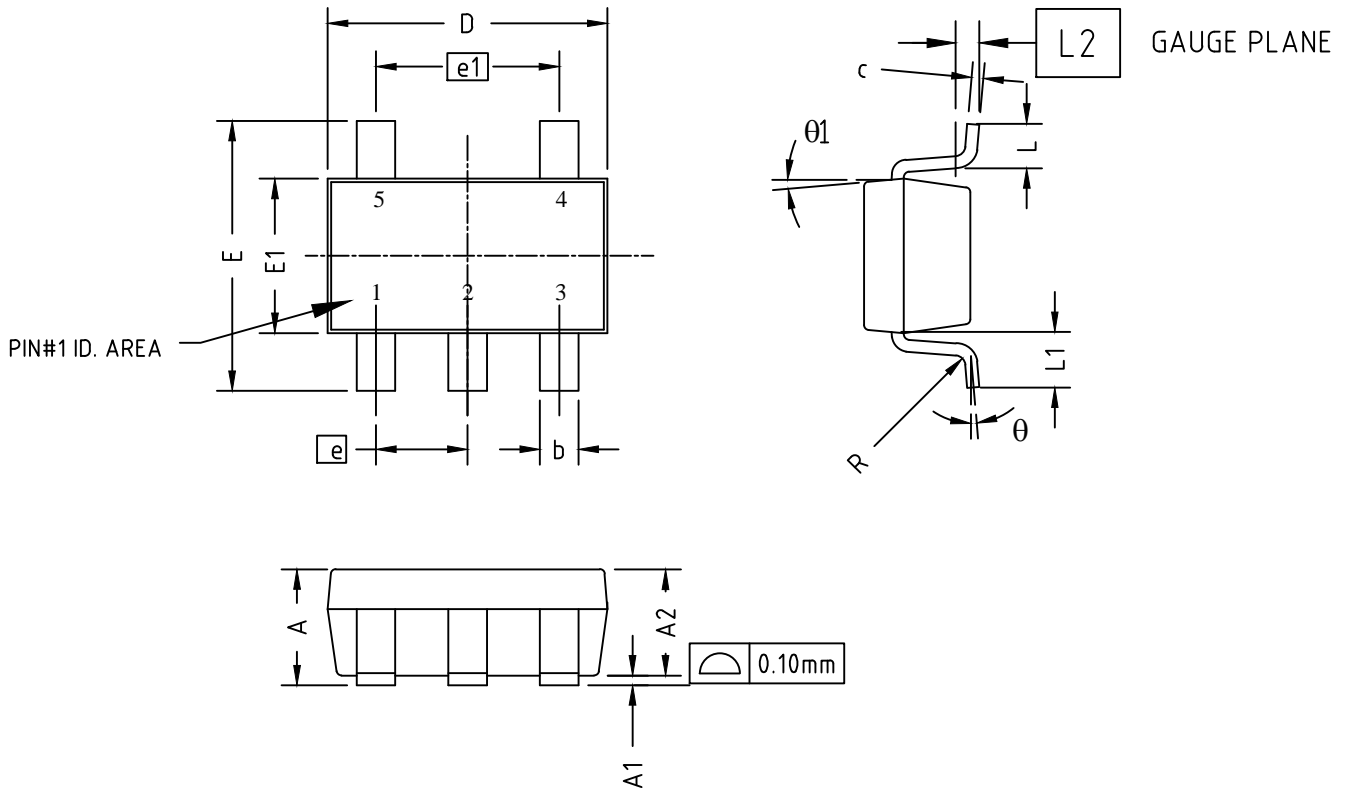
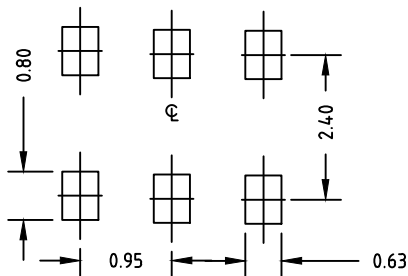




SOT23_5L PACKAGE OUTLINE



RECOMMENDED LAND PATTERN



UNIT: mm

SYMBOLS	DIMENSIONS IN MILLIMETERS			DIMENSIONS IN INCHES		
	MIN	NOM	MAX	MIN	NOM	MAX
A	0.80	0.95	1.25	0.0315	0.0374	0.0492
A1	0.00	—	0.10	0.00	—	0.004
A2	0.70	0.90	1.20	0.0276	0.0354	0.0472
b	0.30	0.40	0.50	0.012	0.016	0.020
c	0.08	0.127	0.20	0.003	0.005	0.008
D	2.90 BSC			0.114 BSC		
E	2.80 BSC			0.110 BSC		
E1	1.60 BSC			0.063 BSC		
e	0.95 BSC			0.037 BSC		
e1	1.90 BSC			0.075 BSC		
L	0.30	0.40	0.60	0.0118	0.0157	0.025
L1	0.60 REF			0.024 REF		
L2	0.254 BSC			0.010 BSC		
R	0.10	—	—	0.004	—	—
theta	0°	4°	8°	0°	4°	8°
theta1	7°NOM			7°NOM		

NOTE

1. PACKAGE BODY SIZES EXCLUDE MOLD FLASH AND GATE BURRS.
MOLD FLASH AT THE NON-LEAD SIDES SHOULD BE LESS THAN 5 MILS EACH.
2. DIMENSION "L" IS MEASURED IN GAUGE PLANE.
3. TOLERANCE ± 0.100 mm (4 mil) UNLESS OTHERWISE SPECIFIED.
4. FOLLOWED FROM JEDEC MO-178C & MO-193C.
5. CONTROLLING DIMENSIONS IS MILLIMETER.
CONVERTED INCH DIMENSIONS ARE NOT NECESSARILY EXACT.