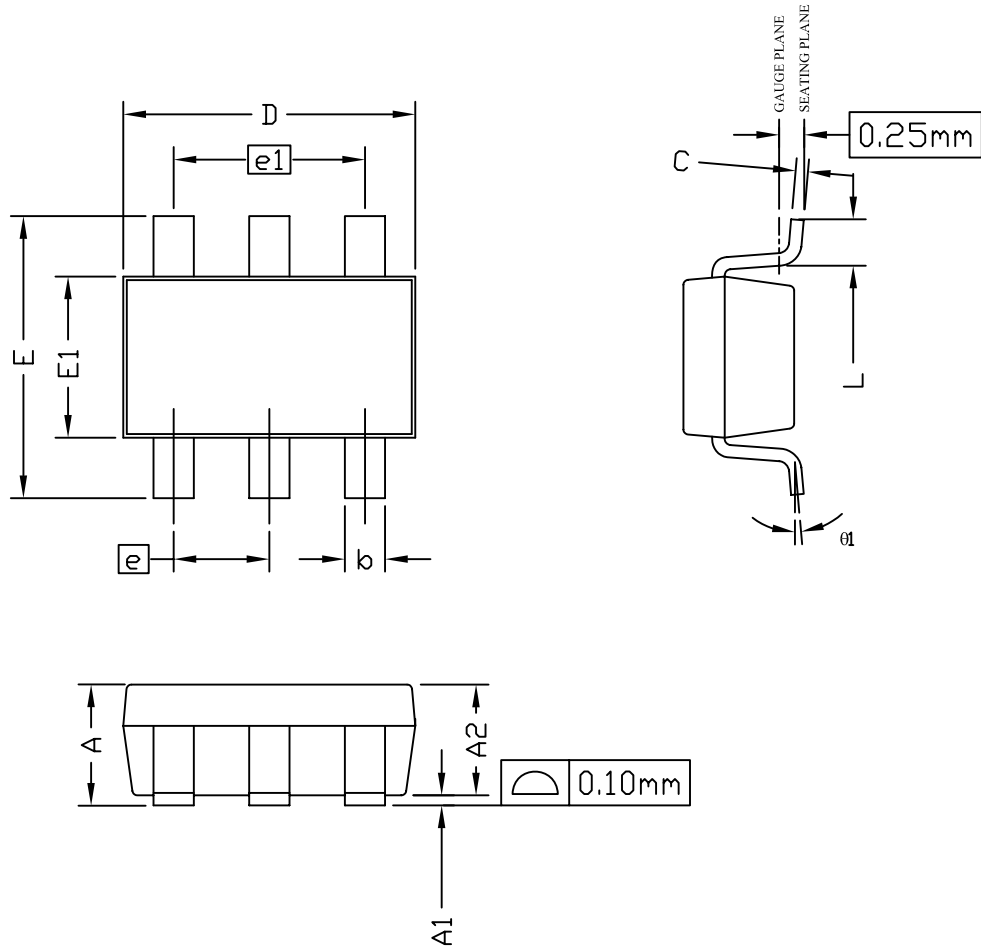
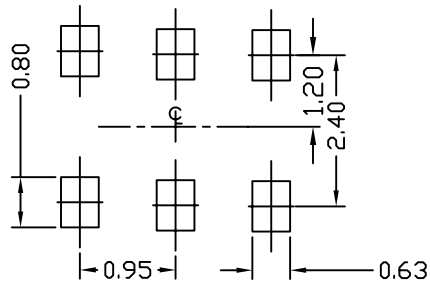




SOT23_6L PACKAGE OUTLINE



RECOMMENDED LAND PATTERN



| SYMBOLS | DIMENSIONS IN MILLIMETERS | | | DIMENSIONS IN INCHES | | |
|---------|---------------------------|------|------|----------------------|-------|-------|
| | MIN | NOM | MAX | MIN | NOM | MAX |
| A | 0.90 | --- | 1.25 | 0.035 | --- | 0.049 |
| A1 | 0.00 | --- | 0.15 | 0.00 | --- | 0.006 |
| A2 | 0.70 | 1.10 | 1.20 | 0.028 | 0.043 | 0.047 |
| b | 0.30 | 0.40 | 0.50 | 0.012 | 0.016 | 0.020 |
| C | 0.08 | 0.13 | 0.20 | 0.003 | 0.005 | 0.008 |
| D | 2.70 | 2.90 | 3.10 | 0.106 | 0.114 | 0.122 |
| E | 2.50 | 2.80 | 3.10 | 0.098 | 0.110 | 0.122 |
| E1 | 1.50 | 1.60 | 1.70 | 0.059 | 0.063 | 0.067 |
| e | 0.95 BSC. | | | 0.037BSC. | | |
| e1 | 1.90 BSC. | | | 0.075 BSC. | | |
| L | 0.30 | --- | 0.60 | 0.012 | --- | 0.024 |
| θ1 | 0° | --- | 8° | 0° | --- | 8° |

UNIT: mm

NOTE

- PACKAGE BODY SIZES EXCLUDE MOLD FLASH AND GATE BURRS.
MOLD FLASH AT THE NON-LEAD SIDES SHOULD BE LESS THAN 5 MILS EACH.
- DIMENSION "L" IS MEASURED IN GAGE PLANE.
- TOLERANCE ± 0.100 mm (4 mil) UNLESS OTHERWISE SPECIFIED.
- FOLLOWED FROM JEDEC MO-178C & MO-193C.
- CONTROLLING DIMENSIONS IS MILLIMETER.
CONVERTED INCH DIMENSIONS ARE NOT NECESSARILY EXACT.