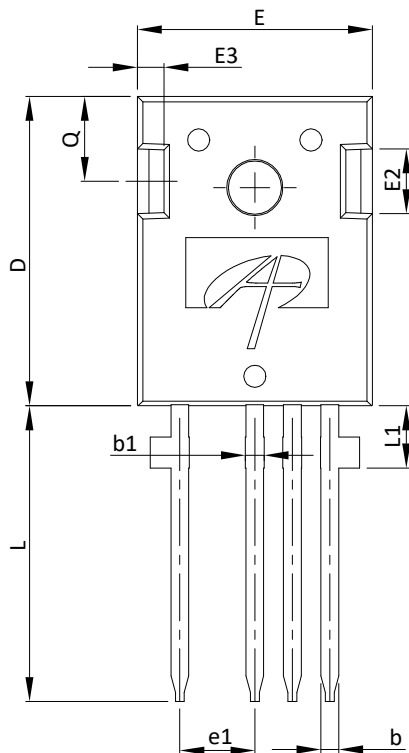
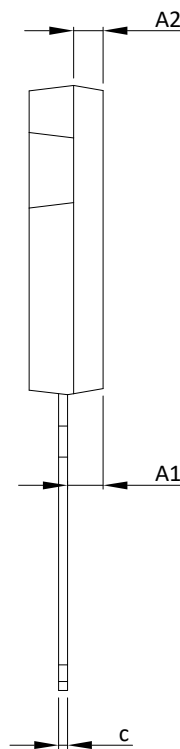




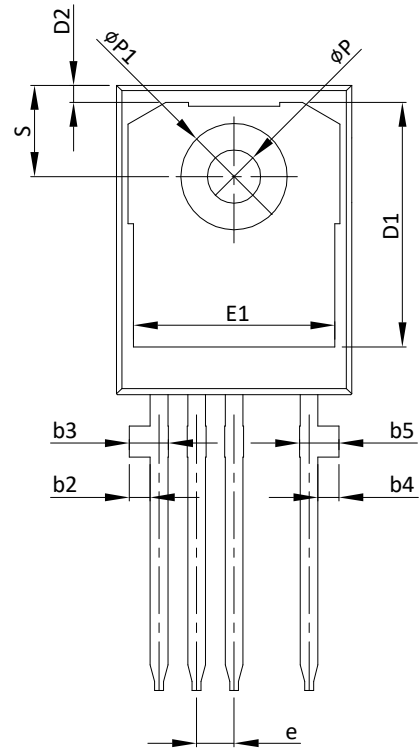
## TO247\_4L PACKAGE OUTLINE



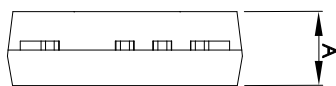
TOP VIEW



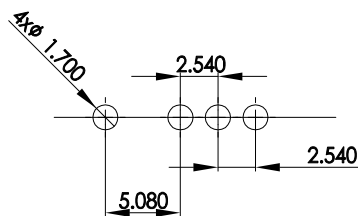
SIDE VIEW



BOTTOM VIEW



SIDE VIEW



RECOMMENDED THROUGH HOLES  
FOR LAND PATTERN

| SYMBOLS | DIM. IN MM |       |       | DIM. IN INCH |       |       |
|---------|------------|-------|-------|--------------|-------|-------|
|         | MIN.       | NOM.  | MAX.  | MIN.         | NOM.  | MAX.  |
| A       | 4.90       | 5.00  | 5.10  | 0.193        | 0.197 | 0.201 |
| A1      | 2.32       | 2.42  | 2.52  | 0.091        | 0.095 | 0.099 |
| A2      | 1.90       | 2.00  | 2.10  | 0.075        | 0.079 | 0.083 |
| b       | 1.17       | 1.22  | 1.27  | 0.046        | 0.048 | 0.050 |
| b1      | 1.20       | 1.30  | 1.40  | 0.047        | 0.051 | 0.055 |
| b2      | 1.31       | 1.41  | 1.51  | 0.052        | 0.056 | 0.059 |
| b3      | 2.45       | 2.65  | 2.85  | 0.096        | 0.104 | 0.112 |
| b4      | 1.31       | 1.41  | 1.51  | 0.052        | 0.056 | 0.059 |
| b5      | 2.45       | 2.65  | 2.85  | 0.096        | 0.104 | 0.112 |
| c       | 0.57       | 0.62  | 0.67  | 0.022        | 0.024 | 0.026 |
| D       | 20.80      | 20.95 | 21.10 | 0.819        | 0.825 | 0.831 |
| D1      | 16.25      | 16.55 | 16.85 | 0.640        | 0.652 | 0.663 |
| D2      | 1.00       | 1.15  | 1.30  | 0.039        | 0.045 | 0.051 |
| E       | 15.77      | 15.92 | 16.07 | 0.621        | 0.627 | 0.632 |
| E1      | 13.43      | 13.63 | 13.83 | 0.529        | 0.536 | 0.544 |
| E2      | 4.29       | 4.39  | 4.49  | 0.169        | 0.173 | 0.177 |
| E3      | 1.70       | 1.80  | 1.90  | 0.067        | 0.071 | 0.075 |
| e       | 2.54BSC    |       |       | 0.1000BSC    |       |       |
| e1      | 5.08BSC    |       |       | 0.2000BSC    |       |       |
| N       | 4          |       |       | 4            |       |       |
| L       | 19.82      | 20.02 | 20.22 | 0.780        | 0.788 | 0.796 |
| L1      | 4.01       | 4.21  | 4.41  | 0.158        | 0.166 | 0.174 |
| P       | 3.50       | 3.60  | 3.70  | 0.138        | 0.142 | 0.146 |
| P1      | 7.00       | 7.20  | 7.40  | 0.276        | 0.283 | 0.291 |
| Q       | 5.65       | 5.75  | 5.85  | 0.222        | 0.226 | 0.230 |
| S       | 6.07       | 6.17  | 6.27  | 0.239        | 0.243 | 0.247 |

**NOTE:**

1. CONTROLLED DIMENSIONS ARE IN MILLIMETERS.
2. THIS IS AN ENGINEERING DRAFT FOR REVIEW. AOS CONFIDENTIAL.