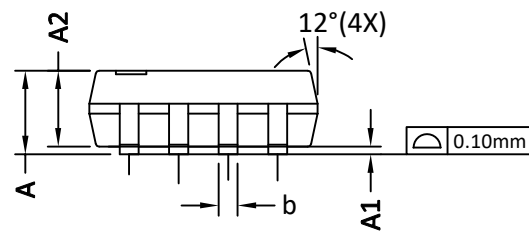
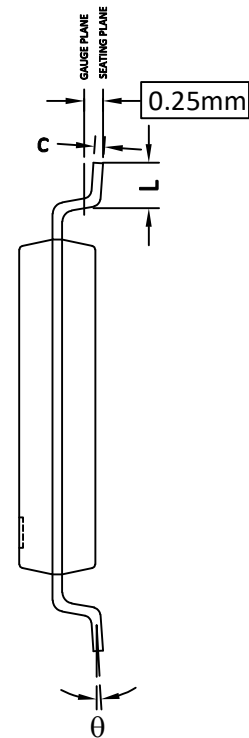
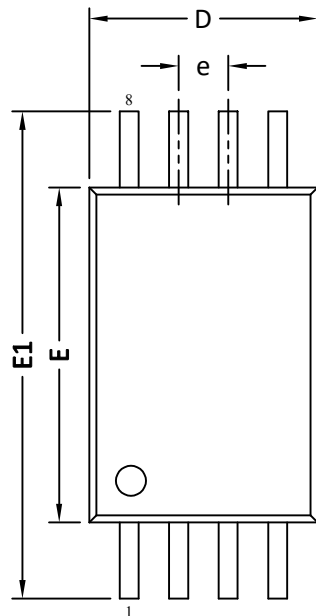
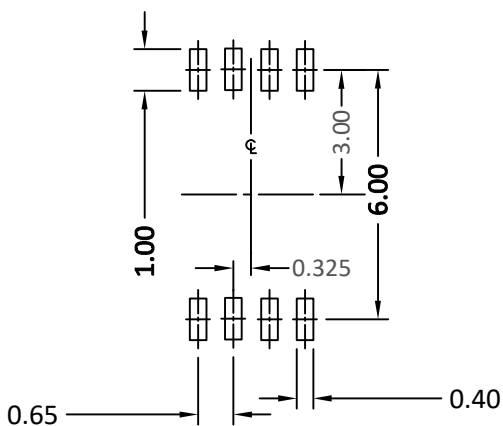


TSSOP8 PACKAGE OUTLINE

RECOMMENDED LAND PATTERN


SYMBOLS	DIM. IN MM			DIM. IN INCH		
	MIN.	NOM.	MAX.	MIN.	NOM.	MAX.
A	-	-	1.200	-	-	0.047
A1	0.050	-	0.150	0.002	-	0.006
A2	0.800	1.000	1.050	0.031	0.039	0.041
b	0.190	-	0.300	0.007	-	0.012
c	0.090	-	0.200	0.004	-	0.008
D	2.900	3.000	3.100	0.114	0.118	0.122
E1	6.40BSC			0.252BSC		
E	4.300	4.400	4.500	0.169	0.173	0.177
e	0.65BSC			0.026BSC		
L	0.450	0.600	0.750	0.018	0.024	0.030
q	0°	-	8°	0°	-	8°

UNIT: mm

NOTE

- ALL DIMENSIONS ARE IN MILLIMETERS.
- DIMENSIONS ARE INCLUSIVE OF PLATING.
- PACKAGE BODY SIZES EXCLUDE MOLD FLASH AND GATE BURRS.
MOLD FLASH AT THE NON-LEAD SIDES SHOULD BE LESS THAN 6 MILS EACH.
- DIMENSION L IS MEASURED IN GAUGE PLANE.
- CONTROLLING DIMENSION IS MILLIMETER.
CONVERTED INCH DIMENSIONS ARE NOT NECESSARILY EXACT.
- REFER TO JEDEC MO-153(AA)