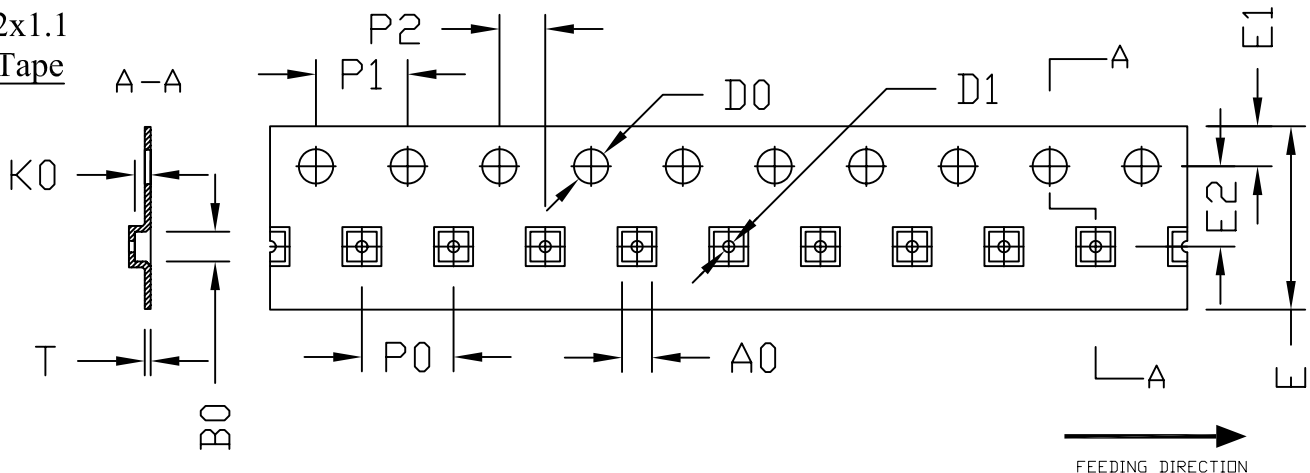




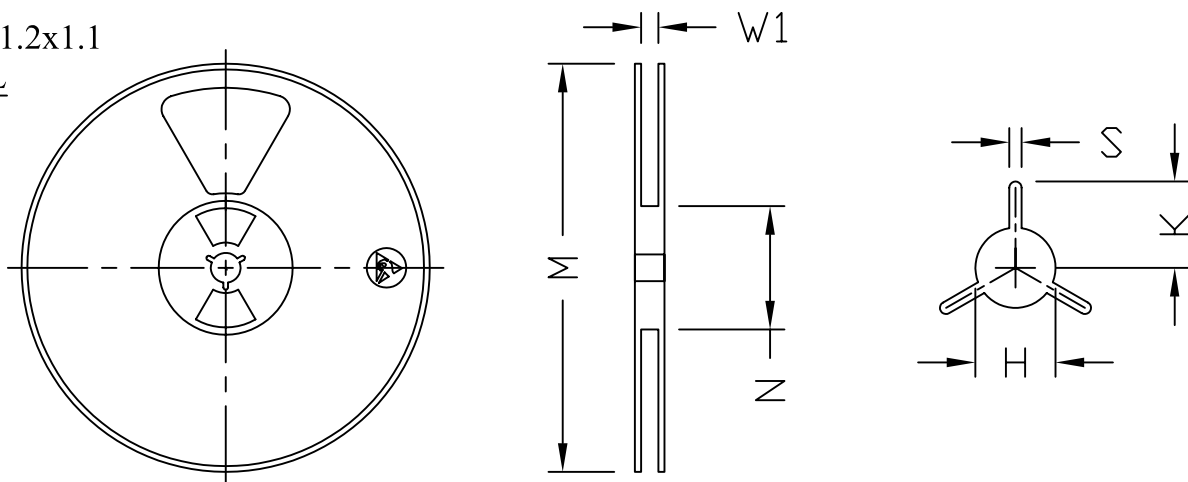
**DFN 1.2x1.1**  
**Carrier Tape**



UNIT: MM

PACKAGE	A0	B0	K0	D0	D1	E	E1	E2	P0	P1	P2	T
DFN1.2x1.1	1.30 ±0.05	1.30 ±0.05	0.69 ±0.05	1.50 ±0.10	0.50 ±0.05	8.00 +0.30 -0.10	1.75 ±0.10	3.50 ±0.05	4.00 ±0.10	4.00 ±0.10	2.00 ±0.05	0.20 ±0.02

**DFN 1.2x1.1**  
**REEL**



UNIT: MM

TAPE SIZE	REEL SIZE	M	N	W1	W2	H	S	K
8	∅177.8	∅177.8 MAX.	53.6 MIN.	8.4 +2.5 -0.0	14.4 MAX.	13.0 +0.5 -0.3	1.5 MIN.	10.1 MIN.

**DFN 1.2x1.1 TAPE**

Leader / Trailer  
& Orientation

