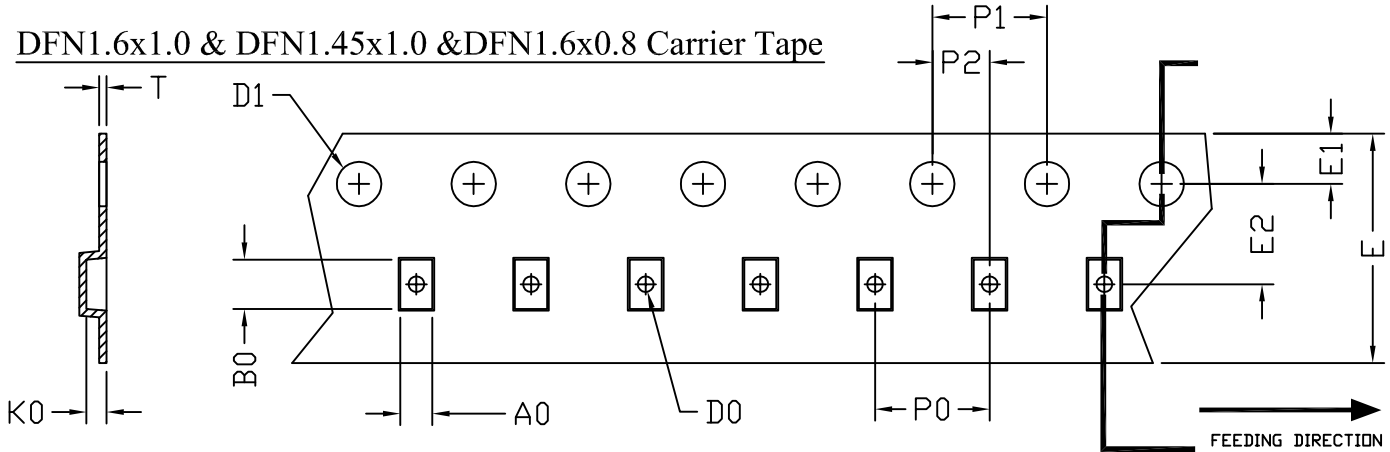




# DFN1.6x1.0 & DFN1.45x1.0 & DFN1.6x0.8 Tape and Reel Data

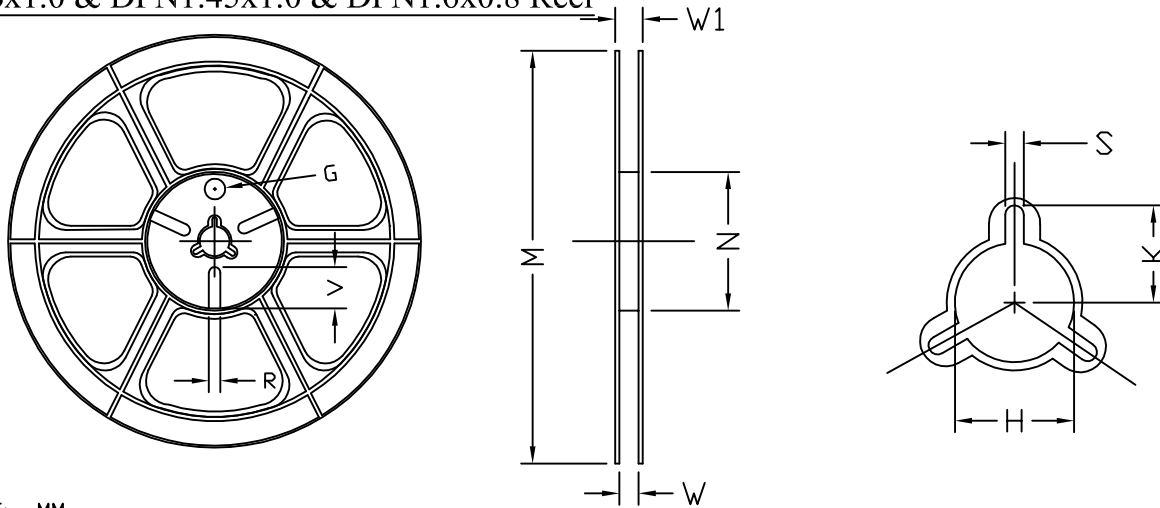
## DFN1.6x1.0 & DFN1.45x1.0 & DFN1.6x0.8 Carrier Tape



UNIT: MM

PACKAGE	A0	B0	K0	D0	D1	E	E1	E2	P0	P1	P2	T
DFN1.6x1.0	1.12	1.72	0.70	0.55	1.55	8.00	1.75	3.50	4.00	4.00	2.00	0.25
DFN1.45x1.0 (8 mm)	±0.05	±0.05	±0.05	±0.05	±0.10	+0.30 -0.10	±0.10	±0.05	±0.10	±0.10	±0.05	±0.05

## DFN1.6x1.0 & DFN1.45x1.0 & DFN1.6x0.8 Reel



UNIT: MM

TAPE SIZE	REEL SIZE	M	N	W	W1	H	K	S	G	R	V
8 mm	φ178	φ178 ±1.0	φ60.0 ±1.0	9.0 ±0.5	N/A	φ13.0 +0.2 -0.2	10.25 ±0.2	2.40 ±0.10	φ9.8	N/A	N/A

## DFN1.6x1.0 & DFN1.45x1.0 & DFN1.6x0.8 Tape

Leader / Trailer  
& Orientation

Unit Per Reel:  
3000pcs

