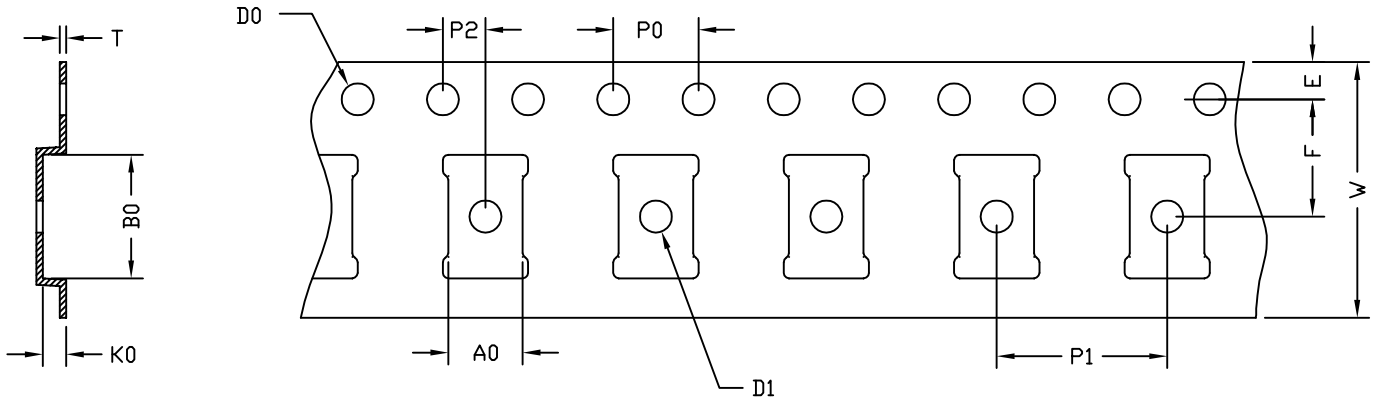




DFN3.2x5.5_17L_EP2_S Tape and Reel Data

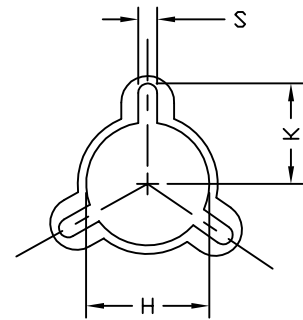
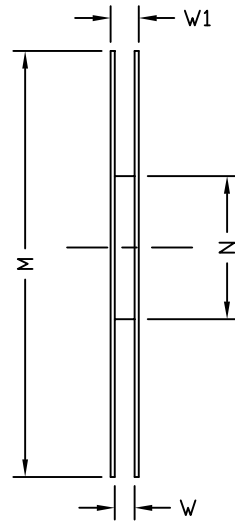
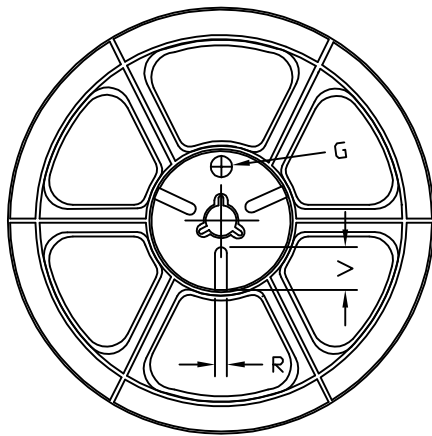
DFN3.2x5.5 17L EP2 S Carrier Tape



UNIT: MM

PACKAGE	A0	B0	K0	D0	D1	W	E	F	P0	P1	P2	T
DFN3.2x5.5 (12 mm)	3.50 ±0.10	5.80 ±0.10	1.10 ±0.10	1.50 +0.10 -0.00	1.50 +0.20 -0.00	12.00 ±0.30	1.75 ±0.10	5.50 ±0.05	4.00 ±0.10	8.00 ±0.10	2.00 ±0.05	0.30 ±0.03

DFN3.2x5.5 17L EP2 S Reel



UNIT: MM

TAPE SIZE	REEL SIZE	M	N	W	W1	H	K	S	G	R	V
12 mm	ø330	ø330.00 ±0.50	ø97.00 ±0.10	13.00 ±0.30	17.40 ±1.00	ø13.00 +0.50 -0.20	10.60	2.00 ±0.50	---	---	---

DFN3.2x5.5 17L EP2 S Tape

Leader / Trailer
& Orientation

Unit Per Reel:
5000pcs

