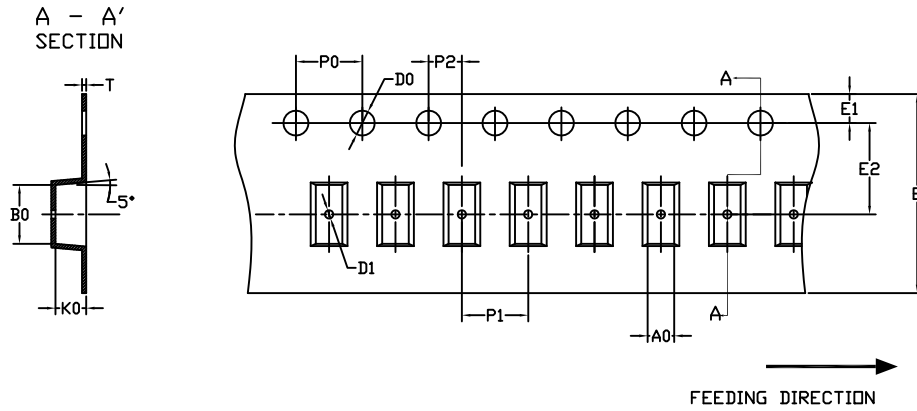




# ALPHA & OMEGA SEMICONDUCTOR

## DFN 3.3 x 1.3(A) Tape and Reel Data

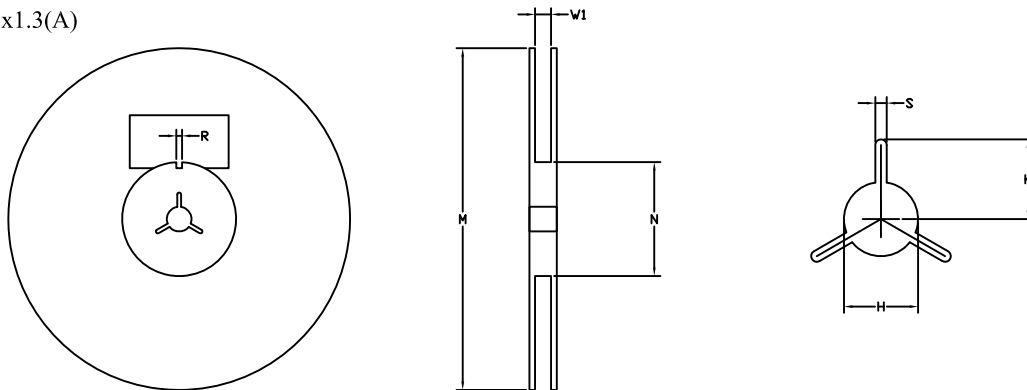
DFN 3.3x1.3(A)  
Carrier Tape



UNIT: MM

PACKAGE	A0	B0	K0	D0	D1	E	E1	E2	P0	P1	P2	T
DFN3.3x1.3(A)	1.60 ±0.10	3.55 ±0.1	0.60 ±0.05	1.55 ±0.05	0.50 +0.10 -0	12.00 ±0.3	1.75 ±0.1	5.50 ±0.1	4.00 ±0.1	4.00 ±0.1	2.00 ±0.1	0.25 ±0.05

DFN 3.3x1.3(A)  
REEL



UNIT: MM

TAPE SIZE	REEL SIZE	M	N	W1	H	S	K	R
12	ø330	ø330.0 +0.30 -4.00	55.0 ±0.40	12.4 +2.0 0.0	13.00 ±0.20	2.20 ±0.20	10.60 ±0.20	---

DFN 3.3x1.3(A)  
Leader / Trailer  
& Orientation

Unit Per Reel:  
5000pcs

