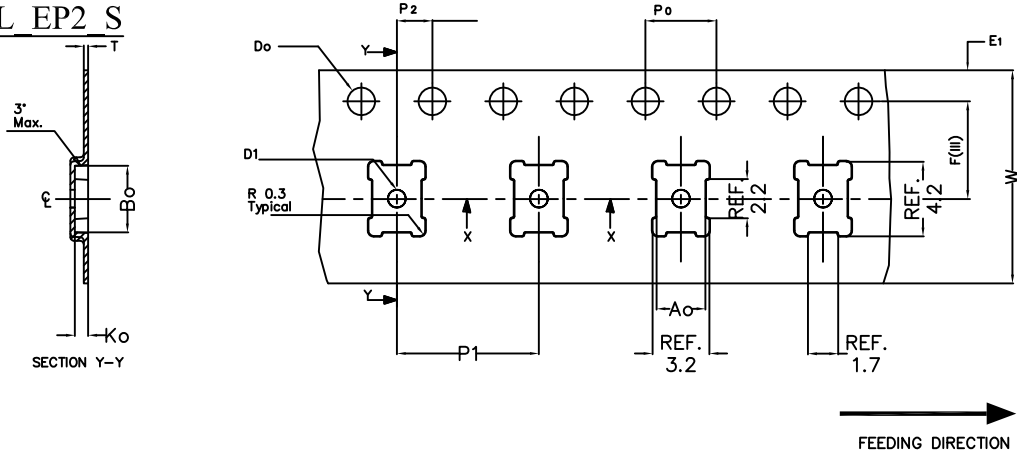
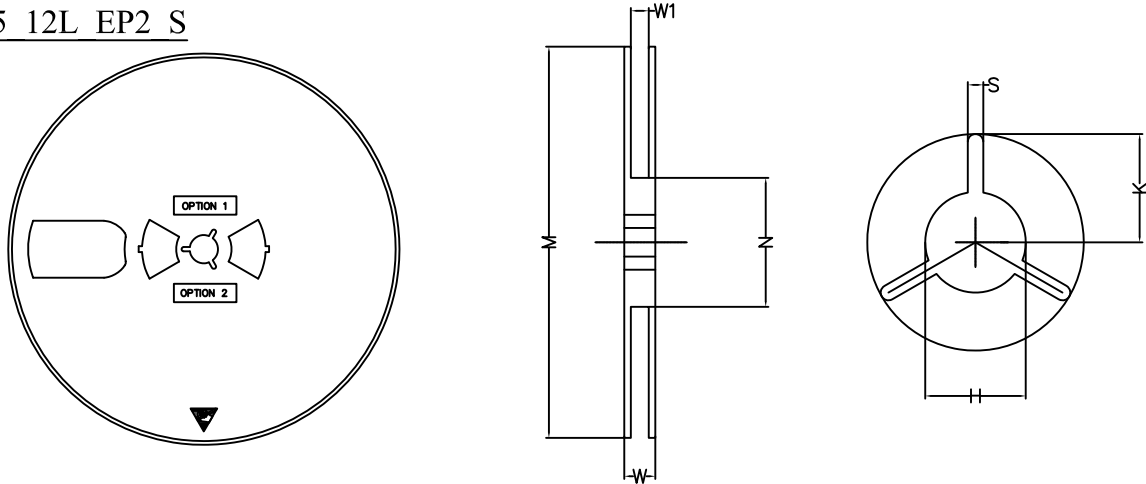


**DFN3.5x2.5 12L EP2 S**  
 Carrier Tape


UNIT: MM

PACKAGE	A0	B0	K0	D0	D1	W	E1	F	P0	P1	P2	T
DFN3.5x2.5_12L_EP2_S	2.75 ±0.05	3.75 ±0.05	0.75 ±0.10	1.50 +0.10 -0.00	1.00 +0.10 -0.00	12.00 ±0.3	1.75 ±0.10	5.50 ±0.05	4.00 ±0.10	8.00 ±0.10	2.00 ±0.05	0.25 ±0.05

**DFN3.5x2.5 12L EP2 S**  
 REEL


UNIT: MM

TAPE SIZE	REEL SIZE	M	N	W	W1	H	S	K
12	φ178	φ178.0 ±1.0	φ54.0 ±0.5	17.00 ±2.0	13.5 ±0.5	φ13.0 +0.5 -0.2	2.20 ±0.30	10.25 ±0.2

**DFN3.5x2.5 12L EP2 S TAPE**

 Leader / Trailer  
 & Orientation

 Unit Per Reel:  
 2000pcs
