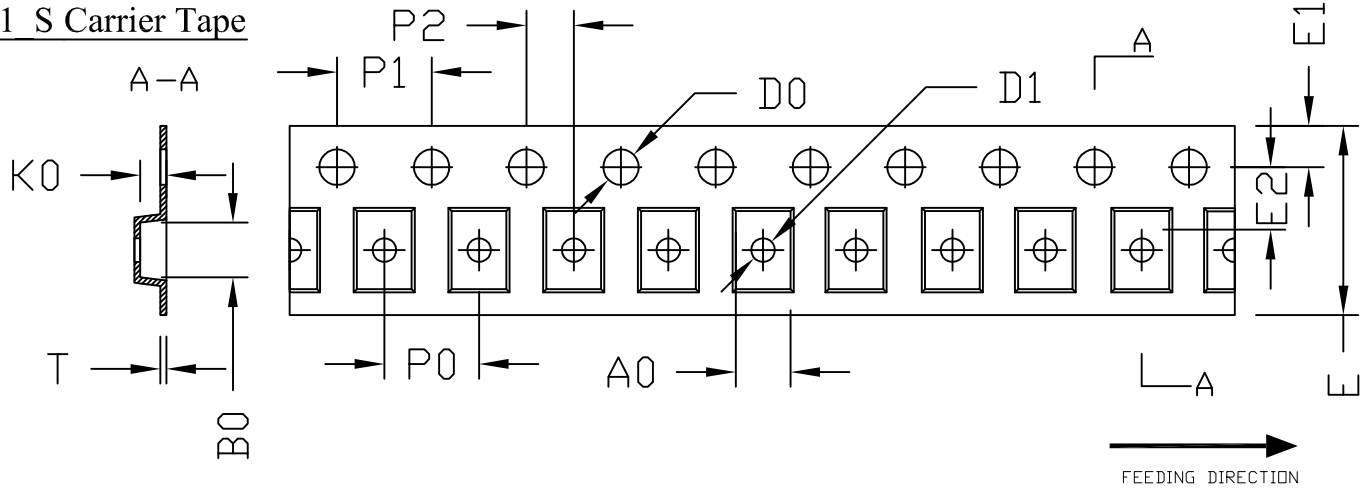




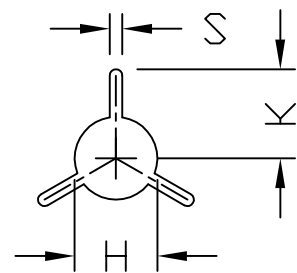
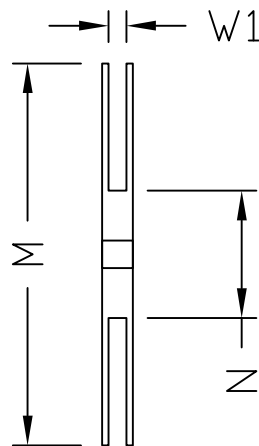
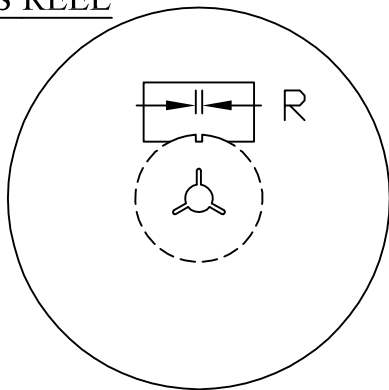
DFN3x2 10L EP3 S/DFN3x2  
12L EP1 S Carrier Tape



UNIT: MM

PACKAGE	A0	B0	K0	D0	D1	E	E1	E2	P0	P1	P2	T
DFN3x2 SAWING	2.20 ±0.05	3.15 ±0.05	0.76 ±0.05	1.50 +0.1 -0	1.00 ±0.05	8.00 +0.30 -0.1	1.75 ±0.10	3.50 ±0.05	4.00 ±0.10	4.00 ±0.10	2.00 ±0.05	0.20 ±0.02

DFN3x2 10L EP3 S/DFN3x2  
12L EP1 S REEL



UNIT: MM

TAPE SIZE	REEL SIZE	M	N	W1	H	S	K	R
8	ø180	ø180.0 ±0.50	60.0 ±0.50	8.4 +1.5 -0.0	13.0 ±0.20	1.5 MIN.	13.5 MIN.	3.0 ±0.50

DFN3x2 10L EP3 S/DFN3x2  
12L EP1 S TAPE

Leader / Trailer  
& Orientation

Unit Per Reel:  
3000pcs

