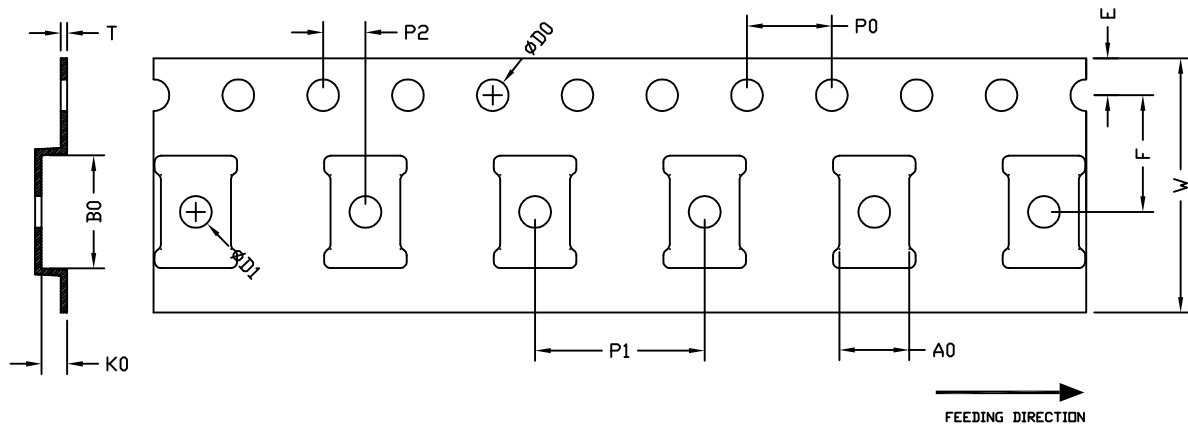




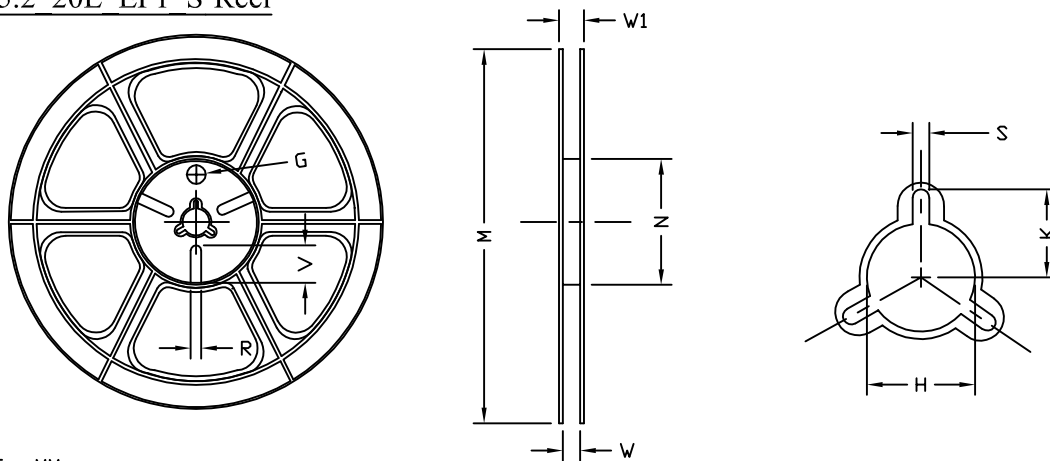
DFN3x5.2 20L EP1 S Carrier Tape



UNIT: MM

PACKAGE	A0	B0	K0	D0	D1	W	E	F	P0	P1	P2	T
DFN3x5.2	3.30 ±0.1	5.50 ±0.1	1.20 ±0.1	∅1.50 +0.1 -0.0	∅1.50 +0.2 -0.0	12.00 ±0.1	1.75 ±0.1	5.50 ±0.05	4.00 ±0.1	8.00 ±0.1	2.00 ±0.05	0.30 ±0.03

DFN3x5.2 20L EP1 S Reel



UNIT: MM

TAPE SIZE	REEL SIZE	M	N	W	W1	H	K	S	G	R	V
12 mm	∅330	∅330.00 ±0.50	∅97.00 ±0.10	13.00 ±0.30	17.40 ±1.00	∅13.00 +0.50 -0.20	10.60	2.00 ±0.50	---	---	---

DFN3x5.2 20L EP1 S Package Tape

Leader / Trailer  
& Orientation

Unit Per Reel:  
5000pcs

