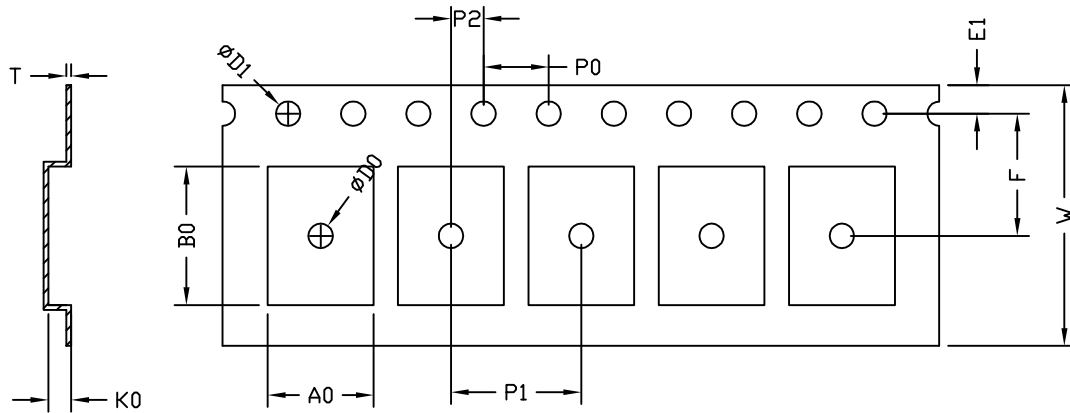




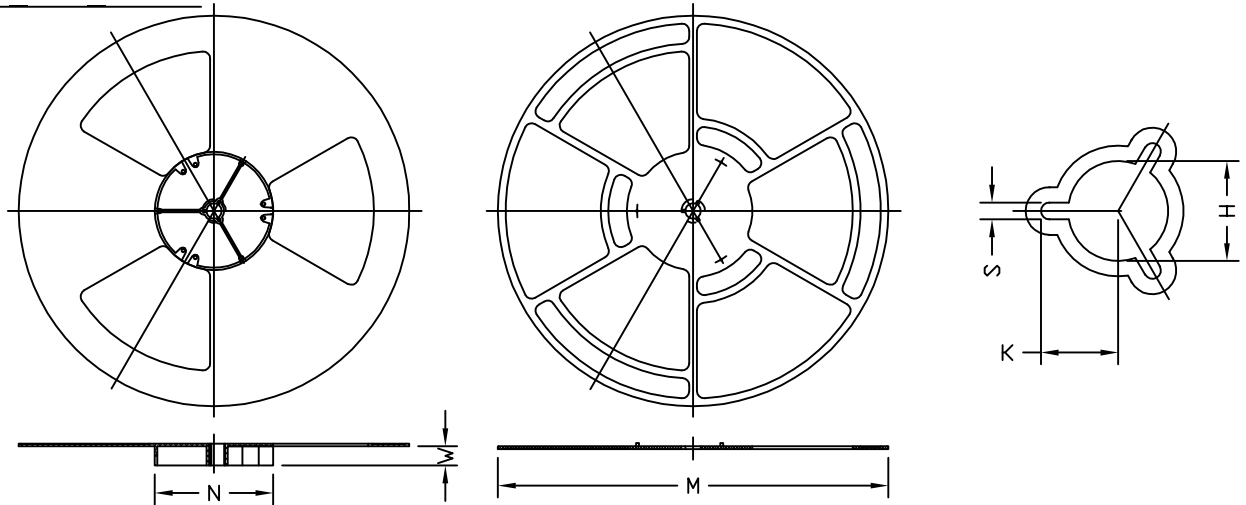
DFN8x6 8L EP2 P Carrier Tape



UNIT: MM

| PACKAGE               | A0            | B0            | K0            | D0                     | D1                     | W                       | E1            | F             | P0            | P1            | P2            | T             |
|-----------------------|---------------|---------------|---------------|------------------------|------------------------|-------------------------|---------------|---------------|---------------|---------------|---------------|---------------|
| DFN8X6_8L_EP2_P(16MM) | 6.50<br>±0.10 | 8.50<br>±0.10 | 1.40<br>±0.10 | 1.50<br>+0.20<br>-0.00 | 1.50<br>+0.10<br>-0.00 | 16.00<br>+0.30<br>-0.10 | 1.75<br>±0.10 | 7.50<br>±0.05 | 4.00<br>±0.10 | 8.00<br>±0.10 | 2.00<br>±0.10 | 0.30<br>±0.03 |

DFN8x6 8L EP2 P Reel



UNIT: MM

| TAPE SIZE | REEL SIZE | M                         | N               | W                    | H                        | K             | S            |
|-----------|-----------|---------------------------|-----------------|----------------------|--------------------------|---------------|--------------|
| 16 mm     | ø330      | ø330.00<br>+0.25<br>-4.00 | ø100.00<br>±0.2 | 16.4<br>+2.0<br>-0.0 | ø13.00<br>+0.50<br>-0.20 | 10.5<br>±0.25 | 2.2<br>±0.25 |

DFN8x6 8L EP2 P Tape

Leader / Trailer & Orientation

Unit Per Reel:  
5000pcs

