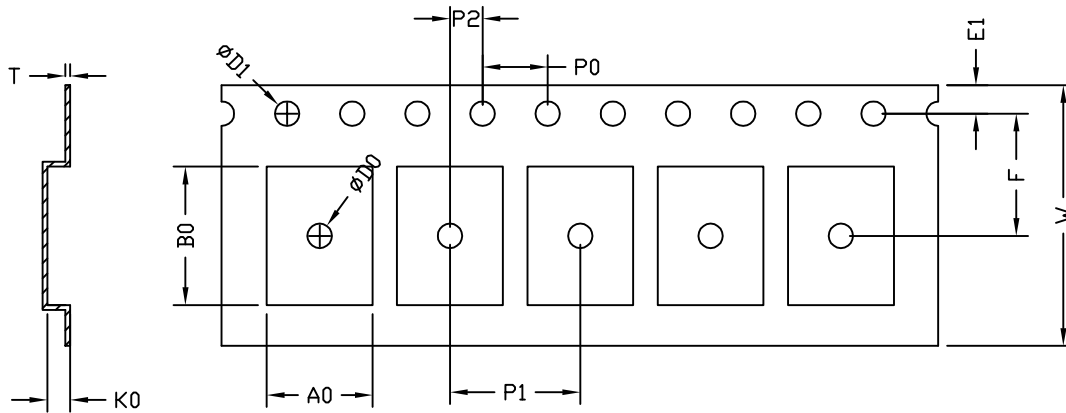




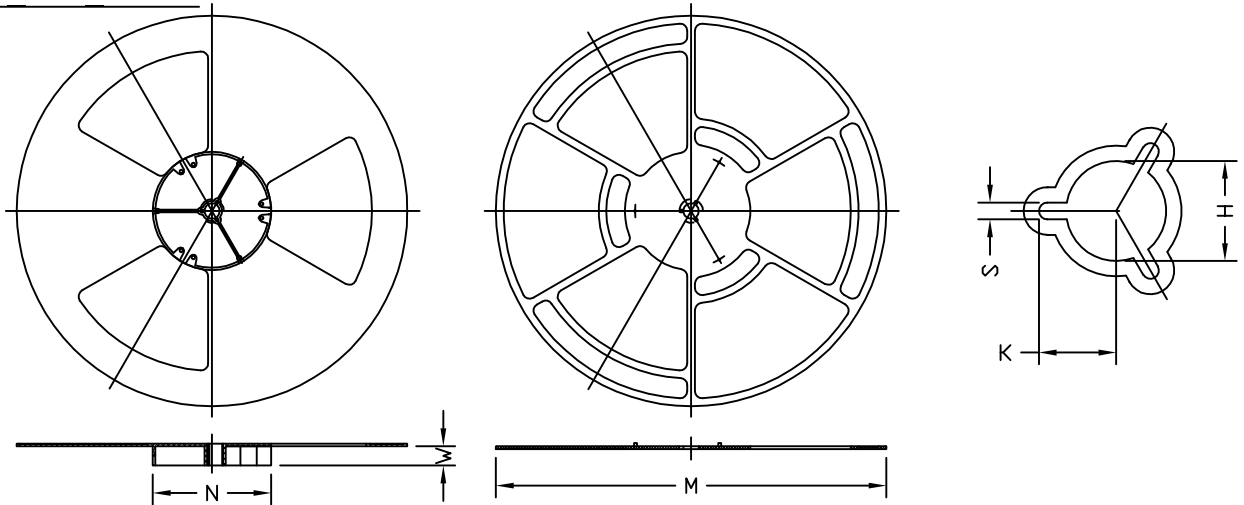
DFN8x6 8L EP2 P Carrier Tape



UNIT: MM

PACKAGE	A0	B0	K0	D0	D1	W	E1	F	P0	P1	P2	T
DFN8X6_8L_EP2_P(16MM)	6.50 ±0.10	8.50 ±0.10	1.40 ±0.10	1.50 +0.20 -0.00	1.50 +0.10 -0.00	16.00 +0.30 -0.10	1.75 ±0.10	7.50 ±0.05	4.00 ±0.10	8.00 ±0.10	2.00 ±0.10	0.30 ±0.03

DFN8x6 8L EP2 P Reel



UNIT: MM

TAPE SIZE	REEL SIZE	M	N	W	H	K	S
16 mm	ø330	ø330.00 +0.25 -4.00	ø100.00 ±0.2	16.4 +2.0 -0.0	ø13.00 +0.50 -0.20	10.5 ±0.25	2.2 ±0.25

DFN8x6 8L EP2 P Tape

Leader / Trailer & Orientation

Unit Per Reel:  
5000pcs

