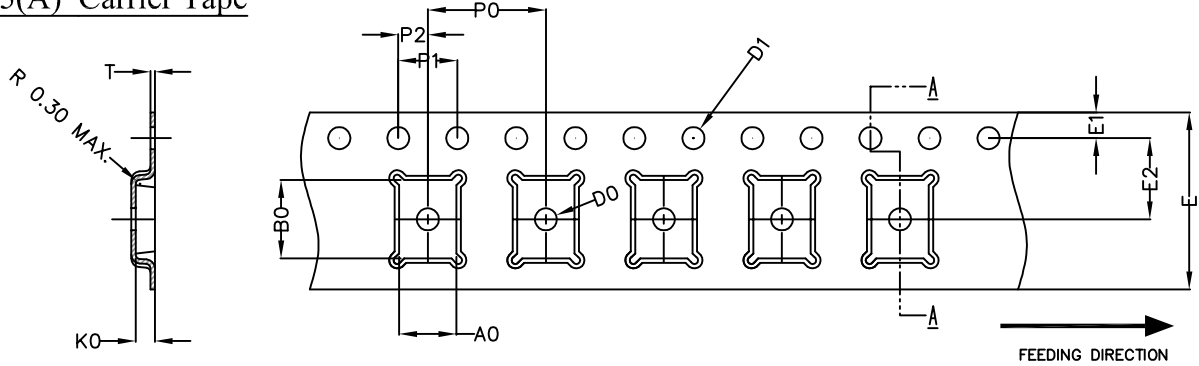




QFN3.5x5_23L_EP2_S /
QFN3.5x5_24L_EP2_S /
QFN3.5x5A_24L_EP2_S Tape
and Reel Data

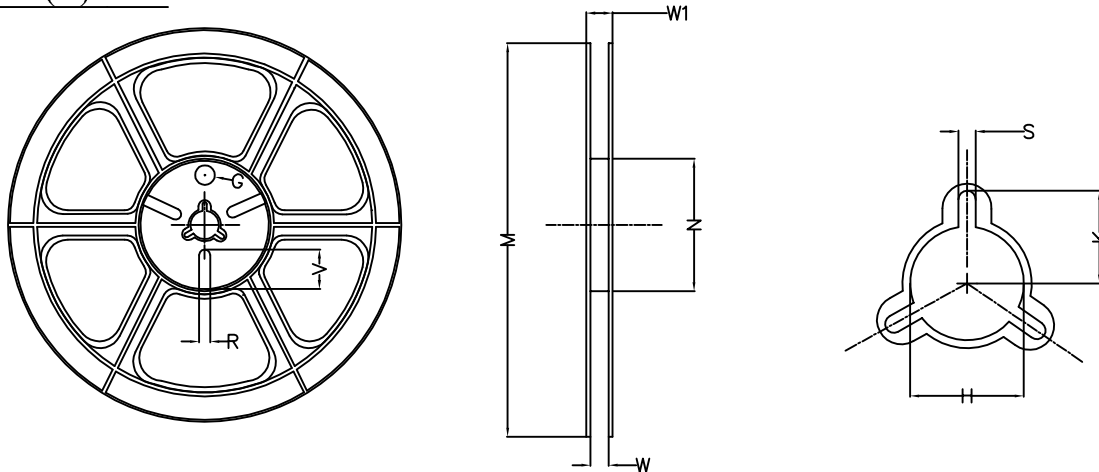
QFN3.5X5(A) Carrier Tape



UNIT: MM

PACKAGE	A0	B0	K0	D0	D1	E	E1	E2	P0	P1	P2	T
QFN3.5x5(A) (12 mm)	3.89 ±0.10	5.31 ±0.10	1.30 ±0.10	1.50 MIN.	1.50 ±0.10 ⁰	12.00 ±0.30	1.75 ±0.10	5.50 ±0.05	8.00 ±0.10	4.00 ±0.10	2.00 ±0.05	0.30 ±0.05

QFN3.5X5(A) Reel



UNIT: MM

TAPE SIZE	REEL SIZE	M	N	W	W1	H	S	K	G	R	V
12 mm	ø330	ø330.00 ±2.00	ø101.6 ±2.00	12.40 +2.00 -0.00	12.40 +3.00 -0.20	ø13.20 ±0.30	1.70-2.60	---	---	---	---

QFN3.5X5(A) Tape

Leader / Trailer
& Orientation

Unit Per Reel:
3000pcs

