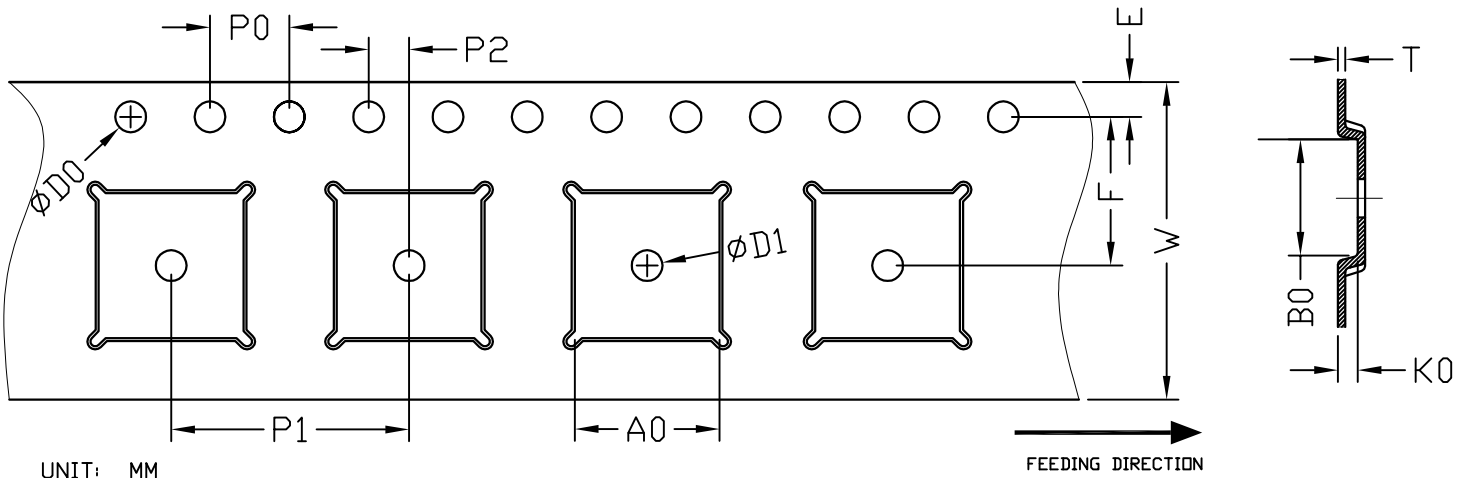




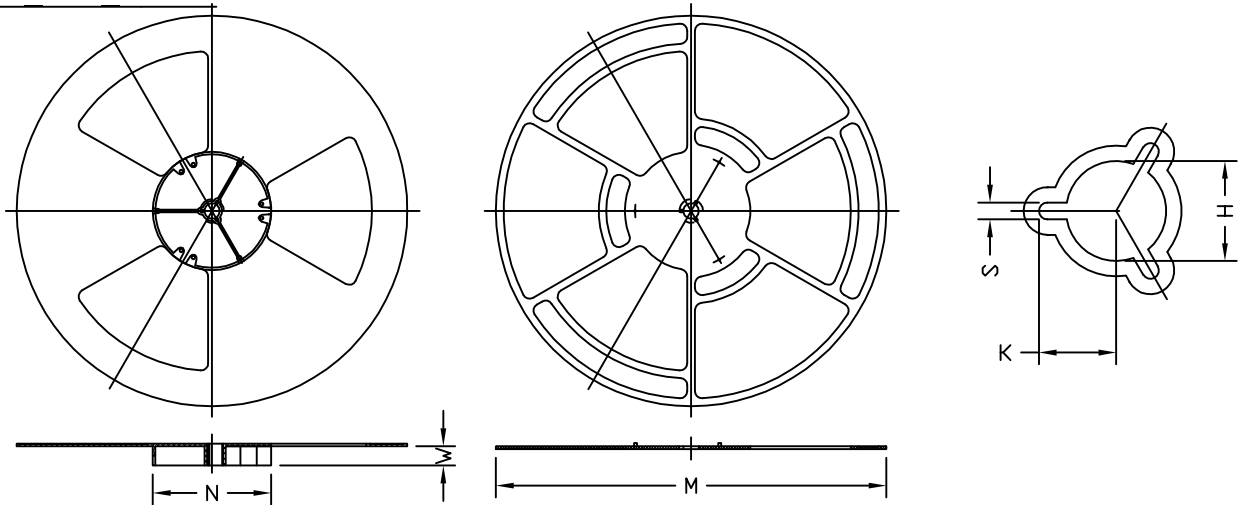
QFN7x7 20L EP1 S Carrier Tape



UNIT: MM

PACKAGE	A0	B0	K0	D0	D1	W	E	F	P0	P1	P2	T
QFN7x7	7.30 ±0.1	7.30 ±0.1	1.20 ±0.1	∅1.55 ±0.10	∅1.50 MIN.	16.00 <sup>+0.3</sup> -0.1	1.75 ±0.1	7.50 ±0.1	4.00 ±0.1	12.00 ±0.1	2.00 ±0.10	0.30 ±0.05

QFN7x7 20L EP1 S Reel



UNIT: MM

TAPE SIZE	REEL SIZE	M	N	W	H	K	S
16 mm	∅330	∅330.00 <sup>+0.25</sup> -4.00	∅100.00 ±0.2	16.4 <sup>+2.0</sup> -0.0	∅13.00 <sup>+0.50</sup> -0.20	10.5 ±0.25	2.2 ±0.25

QFN7x7 20L EP1 S Tape

Leader / Trailer  
& Orientation

Unit Per Reel:  
3000pcs

