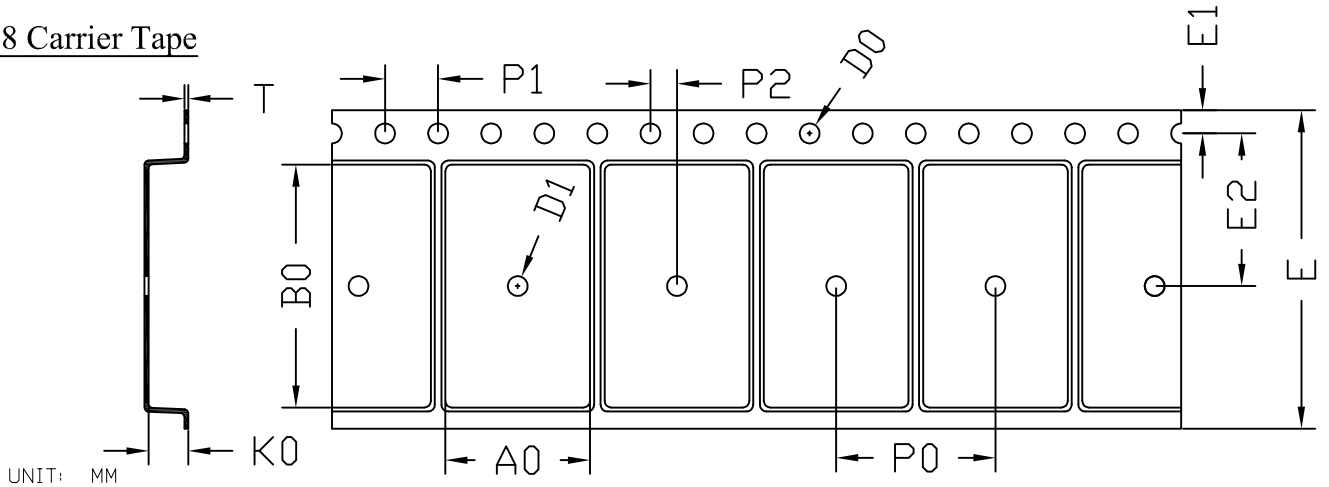




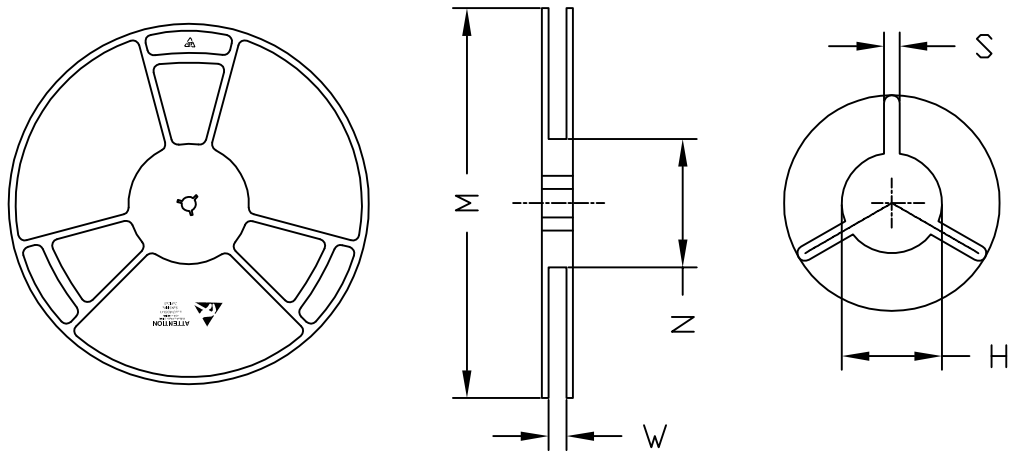
SO28 Carrier Tape



UNIT: MM

PACKAGE	A0	B0	K0	D0	D1	E	E1	E2	P0	P1	P2	T
SO28	10.9 ±0.10	18.3 ±0.10	3.00 ±0.10	Ø1.50 +0.10 -0.00	Ø1.50 MIN.	24.00 ±0.30	1.75 ±0.10	11.50 ±0.10	12.00 ±0.10	4.0 ±0.10	2.0 ±0.10	0.30 ±0.05

SO28 REEL



UNIT: MM

TAPE SIZE	REEL SIZE	M	N	W	H	S
24	Ø330	Ø330.0 ±2.0	Ø100.0 ±1.0	24.4 ±0.5	Ø13.2 ±0.3	2.00 ±0.5

SO28 TAPE

Leader / Trailer
& Orientation

Unit Per Reel:
1000pcs

