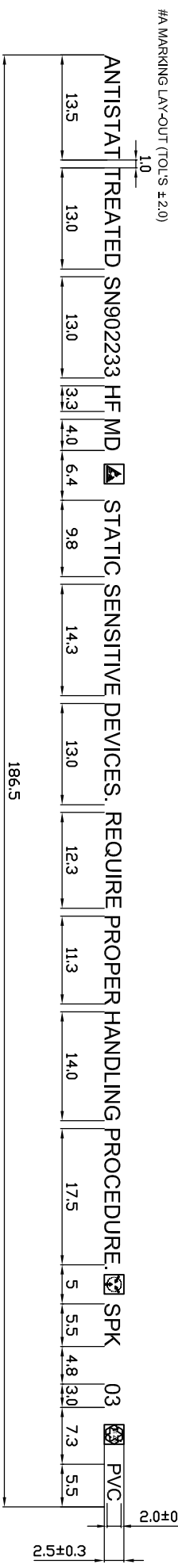
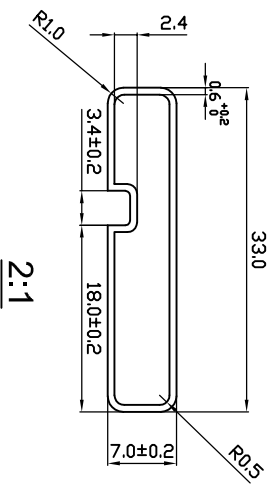
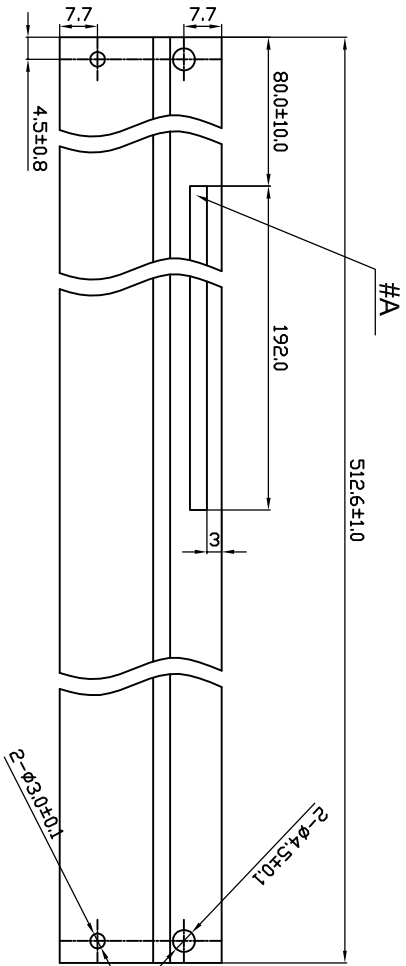




TO220/TO262 PLASTIC TUBE DRAWING

REV.	DATE	DESCRIPTION	DRG.
A		NEW ISSUE	



2:1

(NOTE)

- TUBE
 - MATERIAL : P.V.C
 - COLOR : TRANSPARENCY, RED, YELLOW
 - MARKING #A : 6 MONTHS, BLACK COLOR
 - LETTER STYLE : Arial
 - CAMBAR : 1.5 MAX

- ALL UNSPECIFICATED SPECIFICATIONS FOLLOW TUBE GENERAL SPEC. UNSPECIFICATED TOLERANCE ±0.2
- PACKING Q'TY :

- PIN
 - COLOR : GREEN (ONE PIN MUST BE INSERTED IN LEFT-SIDE OF " ANTISTATIC~" AND ANOTHER PIN IS FREE.)

PKG	Q'TY(PCS)
TO220/ TO262	50

		TITLE	
ALPHA & OMEGA SEMICONDUCTOR		TO220/TO262 TUBE DRAWING	
DRAWN BY	SIGNATURE	UNIT	MM
APPROVED BY	SIGNATURE	DRAWING NUMBER	PAGE 1 OF 1
SCALE	PROJECTION	TR-00060	VENDOR CODE
N.T.S.		N	REV. B