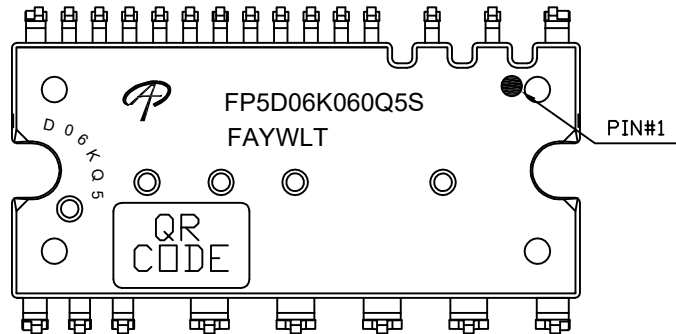




Document No.	PD-03642
Version	A
Title	AFP5D06K060Q5S Marking Description

IPM-5A PACKAGE MARKING DESCRIPTION



Green product

NOTE:

- FP5D06K060Q5S - Part number code
- F - Fab code
- A - Assembly location code
- Y - Year code
- W - Week code
- L&T - Assembly lot code
- D06KQ5 - circle marking

PART NO.	DESCRIPTION	CODE
AFP5D06K060Q5S	Green product	FP5D06K060Q5S