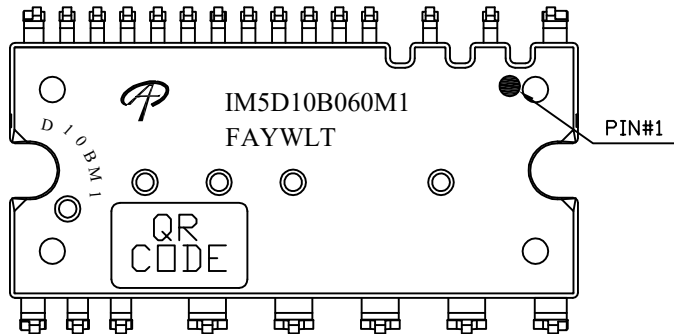


IPM-5 PACKAGE MARKING DESCRIPTION



Green product

NOTE:
 IM5D10B060M1 - Part number code
 F - Fab code
 A - Assembly location code
 Y - Year code
 W - Week code
 L&T - Assembly lot code
 D10BM1 - circle marking

PART NO.	DESCRIPTION	CODE
AIM5D10B060M1	Green product	IM5D10B060M1