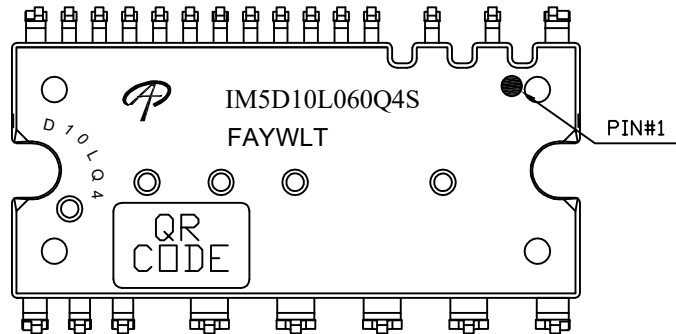




Document No.	PD-03646
Version	A
Title	AIM5D10L060Q4S Marking Description

IPM-5A PACKAGE MARKING DESCRIPTION



Green product

NOTE:

- IM5D10L060Q4S - Part number code
- F - Fab code
- A - Assembly location code
- Y - Year code
- W - Week code
- L&T - Assembly lot code
- D10LQ4 - circle marking

PART NO.	DESCRIPTION	CODE
AIM5D10L060Q4S	Green product	IM5D10L060Q4S