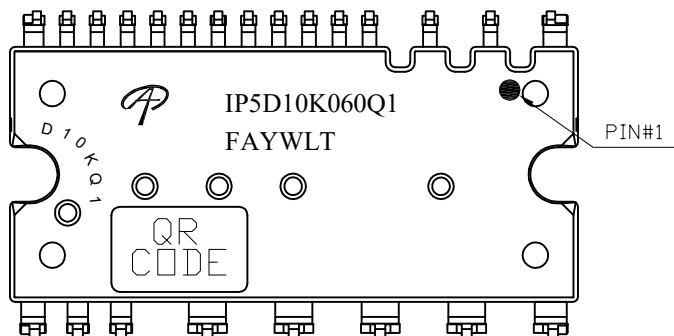




Document No.	PD-04841
Version	A
Title	AIP5D10K060Q1 Marking Description

IPM-5 PACKAGE MARKING DESCRIPTION



Green product

NOTE:

IP5D10K060Q1	- Part number code
F	- Fab code
A	- Assembly location code
Y	- Year code
W	- Week code
L&T	- Assembly lot code
D10KQ1	- circle marking

PART NO.	DESCRIPTION	CODE
AIP5D10K060Q1	Green product	IP5D10K060Q1