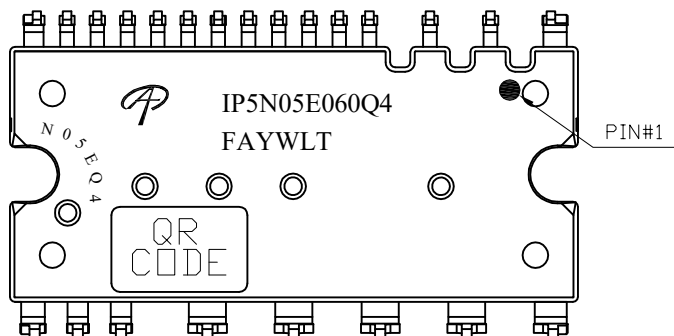




Document No.	PD-04900
Version	A
Title	AIP5N05E060Q4 Marking Descriptor

IPM-5 PACKAGE MARKING DESCRIPTION



Green product

NOTE:

IP5N05E060Q4 - Part number code  
F - Fab code  
A - Assembly location code  
Y - Year code  
W - Week code  
L&T - Assembly lot code  
N05EQ4 - circle marking

PART NO.	DESCRIPTION	CODE
AIP5N05E060Q4	Green product	IP5N05E060Q4