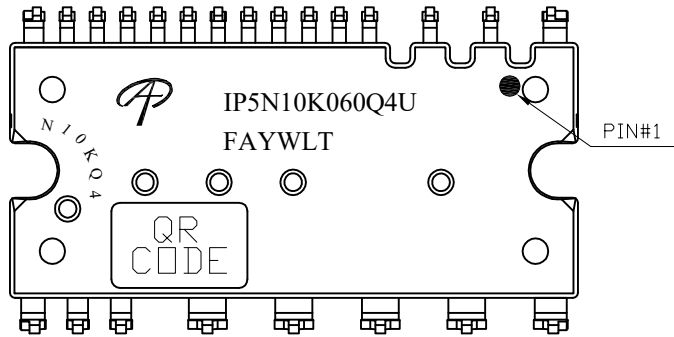


IPM-5C PACKAGE MARKING DESCRIPTION



Green product

NOTE:
 LOGO - AOS Logo
 IP5N10K060Q4U - Part number code
 F - Fab code
 A - Assembly location code
 Y - Year code
 W - Week code
 L&T - Assembly lot code
 N10KQ4 - circle marking

PART NO.	DESCRIPTION	CODE
AIP5N10K060Q4U	Green product	IP5N10K060Q4U