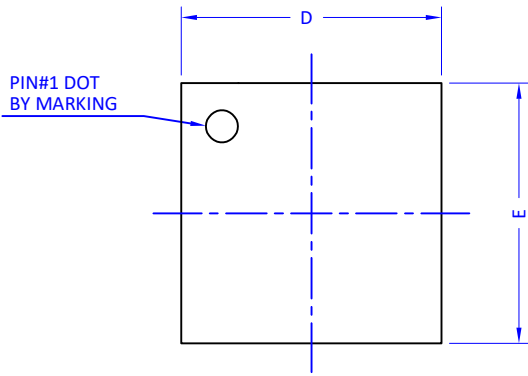
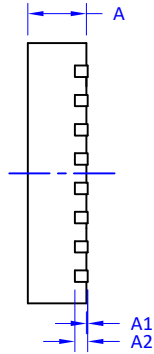


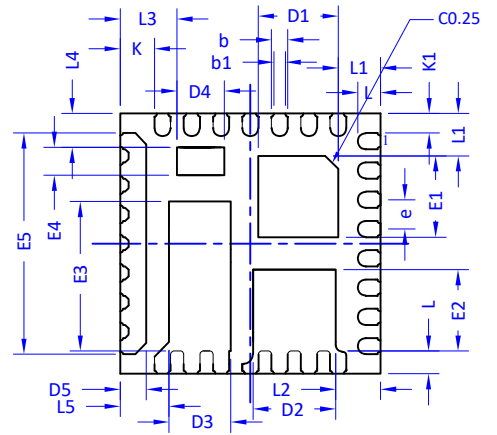
QFN4x4_30L_EP3_S PACKAGE OUTLINE



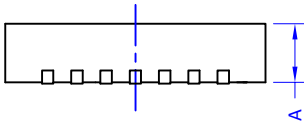
TOP VIEW



SIDE VIEW

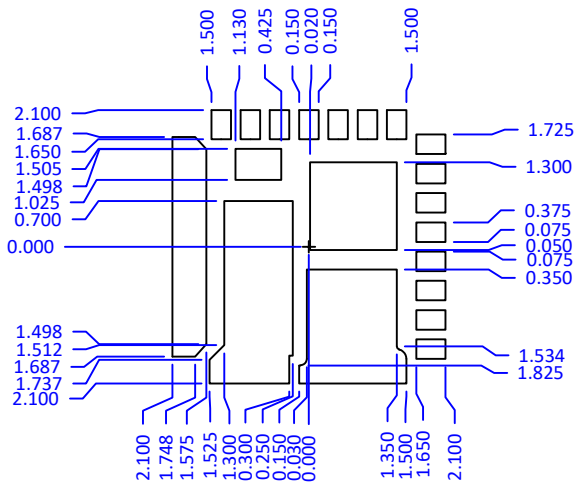


BOTTOM VIEW



SIDE VIEW

RECOMMENDED LAND PATTERN



UNIT: mm

| SYMBOLS | DIMENSION IN MM | | | DIMENSION IN INCHES | | |
|---------|-----------------|------|------|---------------------|-------|-------|
| | MIN | NOM | MAX | MIN | NOM | MAX |
| A | 0.85 | 0.90 | 0.95 | 0.033 | 0.035 | 0.037 |
| A1 | 0.00 | - | 0.05 | 0.000 | - | 0.002 |
| A2 | 0.2REF | | | 0.008REF | | |
| E | 3.90 | 4.00 | 4.10 | 0.154 | 0.157 | 0.161 |
| E1 | 1.20 | 1.25 | 1.30 | 0.047 | 0.049 | 0.051 |
| E2 | 1.20 | 1.25 | 1.30 | 0.047 | 0.049 | 0.051 |
| E3 | 2.25 | 2.30 | 2.35 | 0.089 | 0.091 | 0.093 |
| E4 | 0.38 | 0.43 | 0.48 | 0.015 | 0.017 | 0.019 |
| E5 | 3.35 | 3.40 | 3.45 | 0.132 | 0.134 | 0.136 |
| D | 3.90 | 4.00 | 4.10 | 0.154 | 0.157 | 0.161 |
| D1 | 1.18 | 1.23 | 1.28 | 0.046 | 0.048 | 0.050 |
| D2 | 1.22 | 1.27 | 1.32 | 0.048 | 0.050 | 0.052 |
| D3 | 0.90 | 0.95 | 1.00 | 0.035 | 0.037 | 0.039 |
| D4 | 0.68 | 0.73 | 0.78 | 0.027 | 0.029 | 0.031 |
| D5 | 0.35 | 0.40 | 0.45 | 0.014 | 0.016 | 0.018 |
| L | 0.30 | 0.35 | 0.40 | 0.012 | 0.014 | 0.016 |
| L1 | 0.60 | 0.65 | 0.70 | 0.024 | 0.026 | 0.028 |
| L2 | 0.64 | 0.69 | 0.74 | 0.025 | 0.027 | 0.029 |
| L3 | 0.82 | 0.87 | 0.92 | 0.032 | 0.034 | 0.036 |
| L4 | 0.47 | 0.52 | 0.57 | 0.019 | 0.020 | 0.022 |
| L5 | 0.70 | 0.75 | 0.80 | 0.028 | 0.030 | 0.031 |
| K | 0.48 | 0.53 | 0.58 | 0.019 | 0.021 | 0.023 |
| K1 | 0.25 | 0.30 | 0.35 | 0.010 | 0.012 | 0.014 |
| b | 0.20 | 0.25 | 0.30 | 0.008 | 0.010 | 0.012 |
| b1 | 0.13 | 0.18 | 0.23 | 0.005 | 0.007 | 0.009 |
| e | 0.45BSC | | | 0.018BSC | | |

NOTE
 CONTROLLING DIMENSION IS MILLIMETER.
 CONVERTED INCH DIMENSIONS ARE NOT NECESSARILY EXACT.