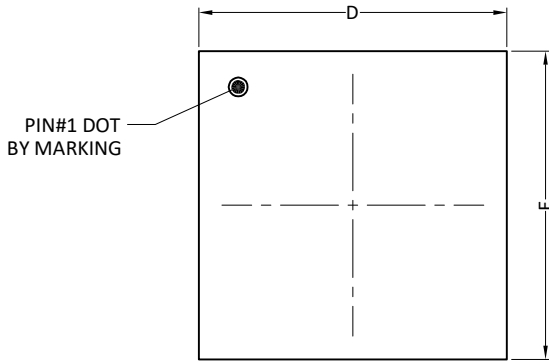
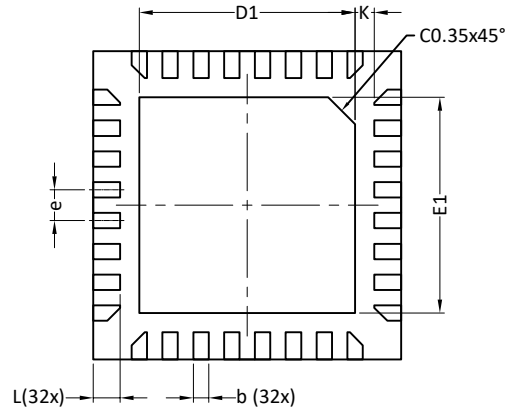


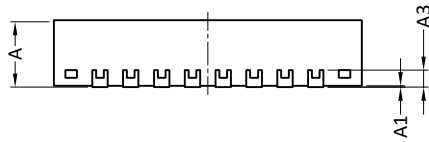
QFN4x4_32L_EP1_S PACKAGE OUTLINE



TOP VIEW

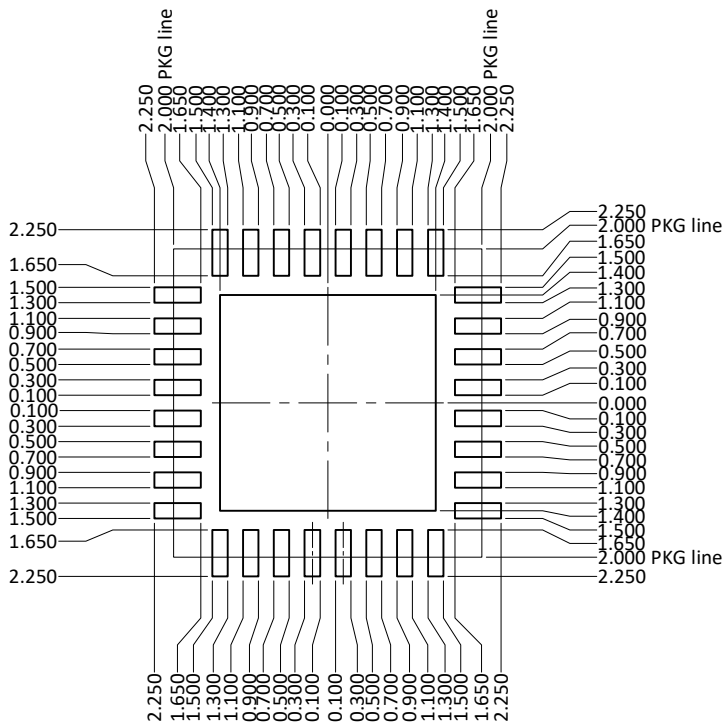


BOTTOM VIEW



SIDE VIEW

RECOMMENDED LAND PATTERN



UNIT: mm

| SYMBOLS | DIM. IN MILLIMETERS | | | DIM. IN INCHES | | |
|---------|---------------------|------|------|----------------|-------|-------|
| | MIN. | NOM. | MAX. | MIN. | NOM. | MAX. |
| A | 0.80 | 0.85 | 0.90 | 0.031 | 0.033 | 0.035 |
| A1 | 0.00 | - | 0.05 | 0.000 | - | 0.002 |
| A3 | 0.203 REF. | | | 0.008 REF. | | |
| b | 0.15 | 0.20 | 0.25 | 0.006 | 0.008 | 0.010 |
| D | 3.90 | 4.00 | 4.10 | 0.154 | 0.157 | 0.161 |
| D1 | 2.70 | 2.80 | 2.90 | 0.106 | 0.110 | 0.114 |
| E | 3.90 | 4.00 | 4.10 | 0.154 | 0.157 | 0.161 |
| E1 | 2.70 | 2.80 | 2.90 | 0.106 | 0.110 | 0.114 |
| e | 0.40 BSC | | | 0.016 BSC | | |
| L | 0.25 | 0.35 | 0.45 | 0.010 | 0.014 | 0.018 |
| K | 0.25 REF. | | | 0.010 REF. | | |

NOTE:

1. CONTROLLING DIMENSION IS MILLIMETER. CONVERTED INCH DIMENSIONS ARE NOT NECESSARILY EXACT.