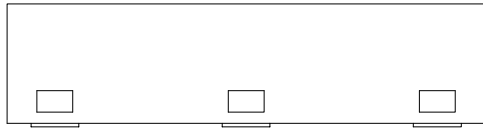
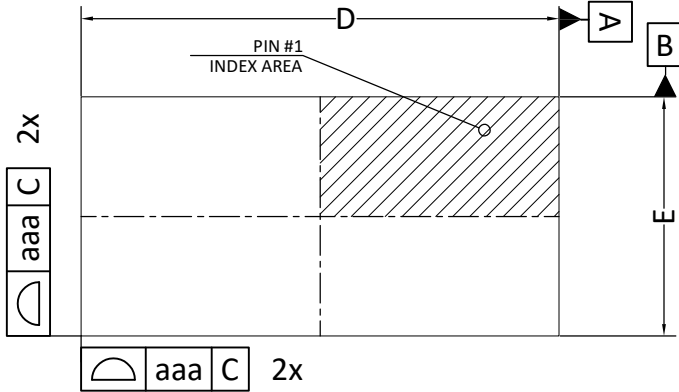




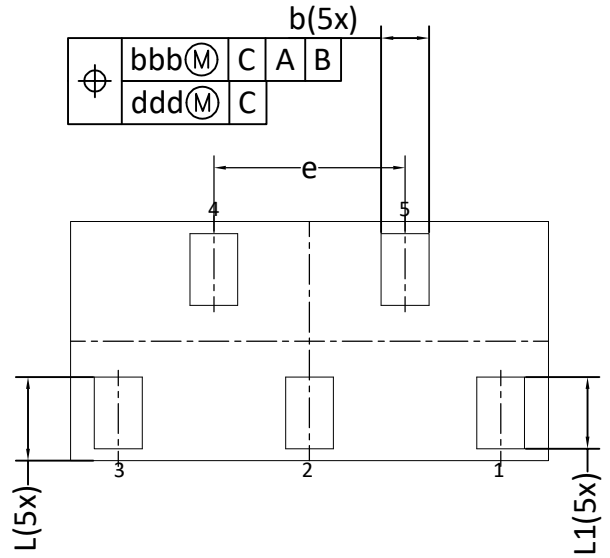
DFN2.0x1.0\_5L\_NEP\_S PACKAGE OUTLINE



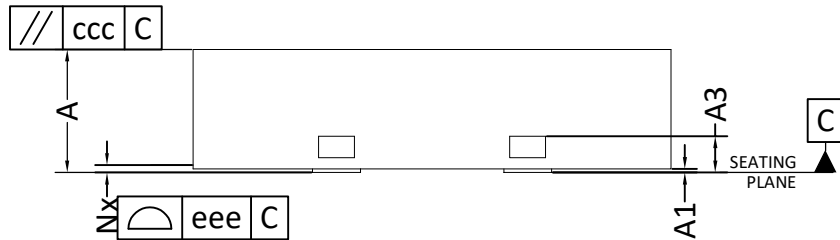
SIDE VIEW (Back)



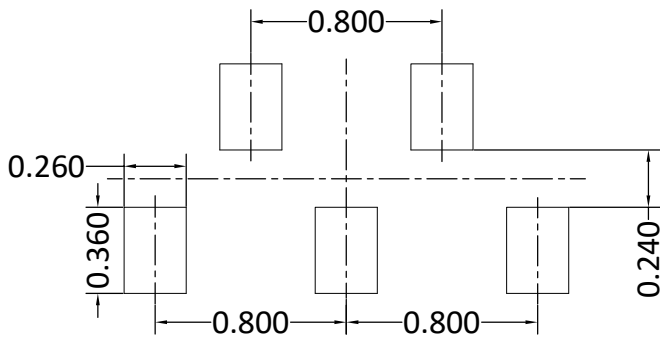
Top View



Bottom View



SIDE VIEW (Front)



unit:mm

RECOMMEND LAND PATTERN

SYMBOLS	DIM. IN MM			DIM. IN INCH		
	MIN.	NOM.	MAX.	MIN.	NOM.	MAX.
A	0.450	0.500	0.550	0.0177	0.0197	0.0217
A1	0.000	0.020	0.050	0.0000	0.0008	0.0020
A3	0.127REF			0.0050REF		
b	0.150	0.200	0.250	0.0059	0.0079	0.0098
D	1.950	2.000	2.080	0.0768	0.0787	0.0819
E	0.950	1.000	1.080	0.0374	0.0394	0.0425
e	0.800BSC			0.0315BSC		
L	0.250	0.350	0.450	0.0098	0.0138	0.0177
L1	0.250	0.300	0.350	0.0098	0.0118	0.0138
aaa	0.080			0.0031		
bbb	0.100			0.0039		
ccc	0.100			0.0039		
ddd	0.050			0.0020		
eee	0.080			0.0031		

NOTE

1. CONTROLLING DIMENSION IS MILLIMETER.  
CONVERTED INCH DIMENSIONS ARE NOT NECESSARILY EXACT.
2. LAND PATTERN DIMENSIONS ARE ONLY FOR REFERENCE.