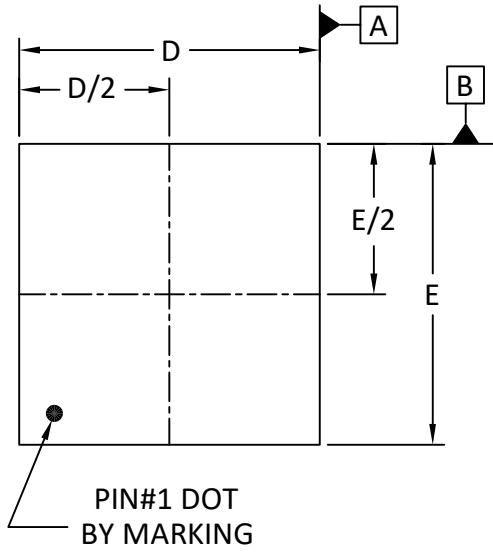
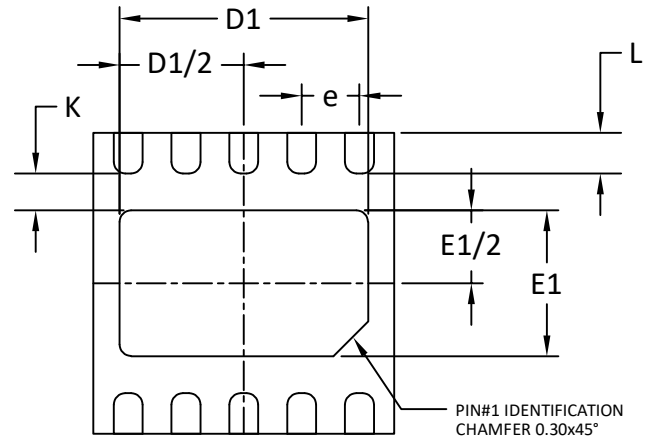




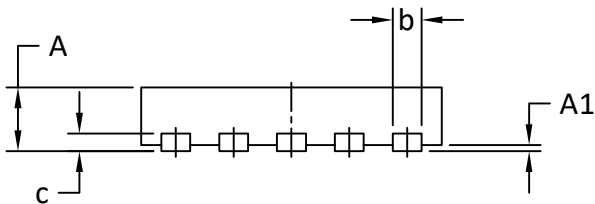
DFN2.6x2.6_10L_EP1_S PACKAGE OUTLINE



TOP VIEW

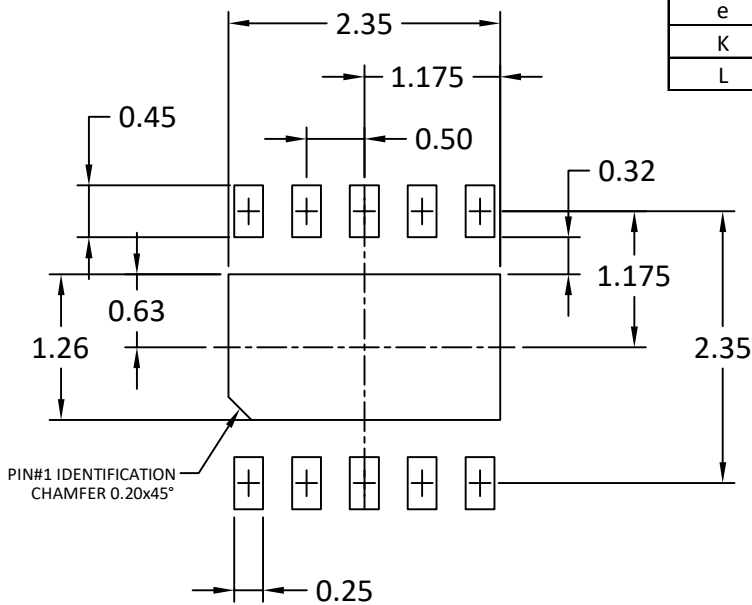


BOTTOM VIEW



SIDE VIEW

RECOMMENDED LAND PATTERN



UNIT: mm

SYMBOLS	DIM. IN MM			DIM. IN INCH		
	MIN.	NOM.	MAX.	MIN.	NOM.	MAX.
A	0.500	0.550	0.600	0.020	0.022	0.024
A1	0.000	-	0.050	0.000	-	0.002
b	0.200	0.250	0.300	0.008	0.010	0.012
c	0.152REF			0.006REF		
D	2.550	2.600	2.650	0.100	0.102	0.104
D1	2.100	2.150	2.200	0.083	0.085	0.087
E	2.550	2.600	2.650	0.100	0.102	0.104
E1	1.210	1.260	1.310	0.048	0.050	0.052
e	0.50BSC			0.020BSC		
K	0.32REF			0.013BSC		
L	0.300	0.350	0.400	0.012	0.014	0.016

NOTE

1. CONTROLLING DIMENSION IS MILLIMETER.
CONVERTED INCH DIMENSIONS ARE NOT NECESSARILY EXACT.