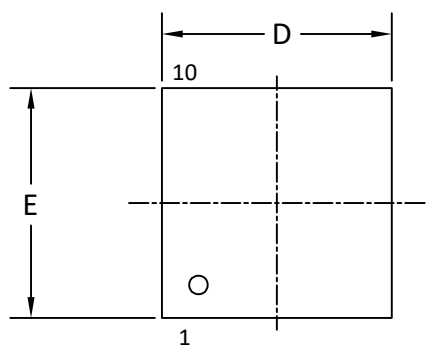
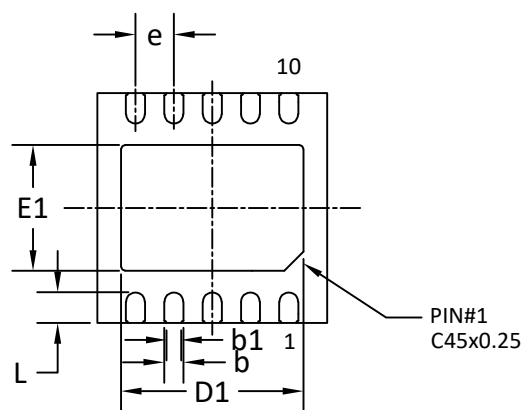


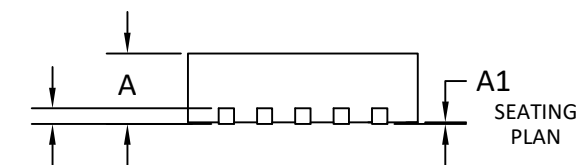
### DFN3x3A\_10L\_EP1\_S PACKAGE OUTLINE



TOP VIEW

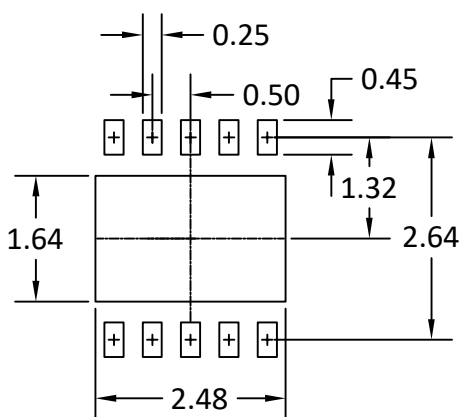


BOTTOM VIEW



SIDE VIEW

#### RECOMMENDED LAND PATTERN



UNIT: mm

SYMBOLS	DIMENSION IN MM			DIMENSION IN INCHES		
	MIN	NOM	MAX	MIN	NOM	MAX
A	0.80	0.90	1.00	0.031	0.035	0.039
A1	0.00	0.02	0.05	0.000	0.001	0.002
b	0.20	0.25	0.30	0.008	0.010	0.012
b1	0.09	0.19	0.29	0.004	0.007	0.011
c	0.195	0.203	0.211	0.008	0.008	0.008
D	2.90	3.00	3.10	0.114	0.118	0.122
D1	2.28	2.38	2.48	0.090	0.094	0.098
E	2.90	3.00	3.10	0.114	0.118	0.122
E1	1.54	1.64	1.74	0.061	0.065	0.069
L	0.30	0.40	0.50	0.012	0.016	0.020
e	0.50BSC			0.020BSC		

#### NOTE

1. DIMENSIONING AND TOLERANCING CONFORM TO ASME Y14.5M-1994.
2. CONTROLLING DIMENSION IS MILLIMETER.  
 CONVERTED INCH DIMENSIONS ARE NOT NECESSARILY EXACT.