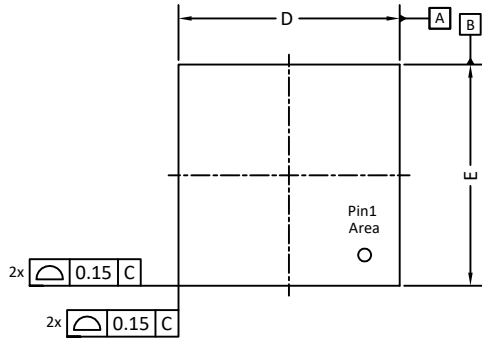
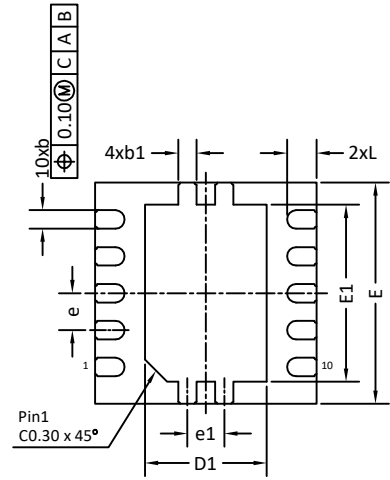


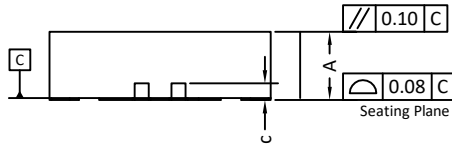
DFN3x3B_10L_EP1_S PACKAGE OUTLINE



TOP VIEW

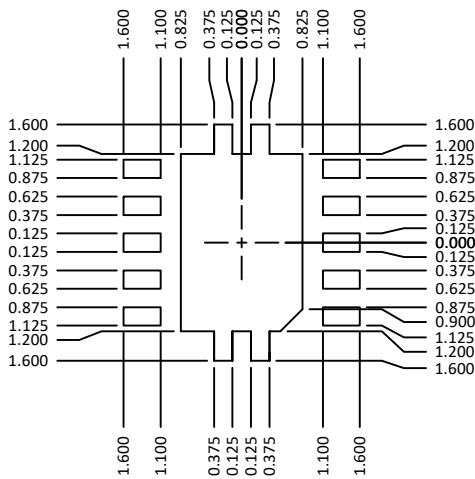


BOTTOM VIEW



SIDE VIEW

RECOMMENDED LAND PATTERN



UNIT: mm

SYMBOLS	DIM. IN MM			DIM. IN INCH		
	MIN.	NOM.	MAX.	MIN.	NOM.	MAX.
A	0.800	0.900	1.000	0.031	0.035	0.039
A1	0.000	---	0.050	0.000	---	0.002
D	2.900	3.000	3.100	0.114	0.118	0.122
D1	1.550	1.650	1.750	0.061	0.065	0.069
E	2.900	3.000	3.100	0.114	0.118	0.122
E1	2.300	2.400	2.500	0.091	0.094	0.098
L	0.300	0.400	0.500	0.012	0.016	0.020
b	0.180	0.250	0.300	0.007	0.010	0.012
b1	0.250 REF			0.010 REF		
c	0.200 REF			0.008 REF		
e	0.500 BSC			0.020 BSC		
e1	0.500 REF			0.020 REF		

NOTE:

1. DIMENSIONING AND TOLERANCING COMPLY WITH ASME Y14.5M 1994.
2. CONTROLLED DIMENSIONS ARE IN MILLIMETERS.
3. COPLANARITY APPLIES TO THE EXPOSED PAD(S) AND ALL TERMINAL LEADS HAVING METALIZATION.