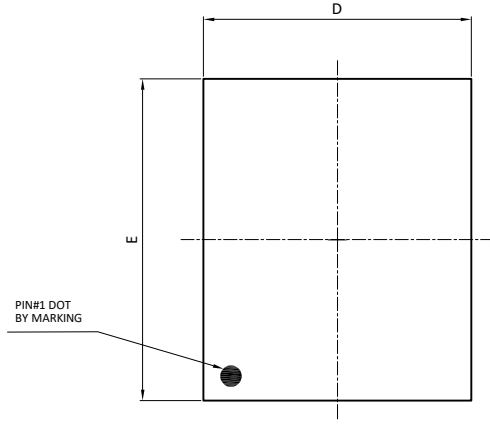
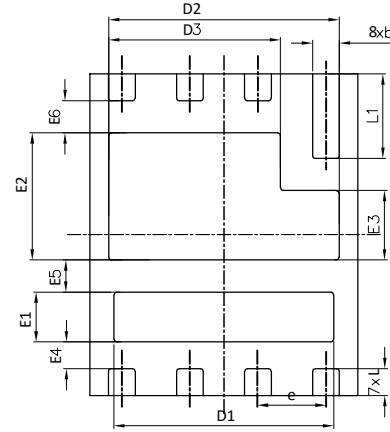




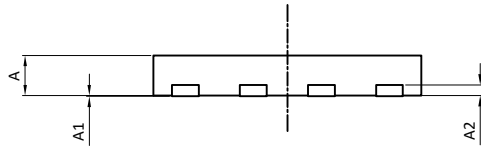
DFN5x6E\_8L\_EP2\_S PACKAGE OUTLINE



TOP VIEW

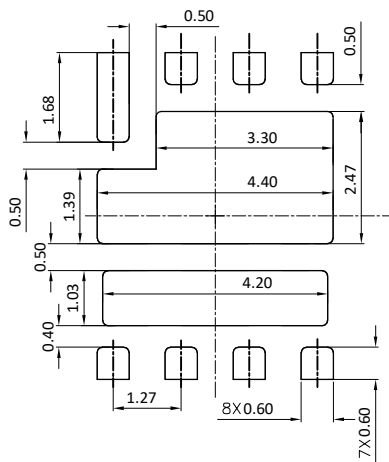


BOTTOM VIEW



SIDE VIEW

RECOMMENDED LAND PATTERN



| SYMBOL | DIMENSIONS IN MILLIMETERS |       |       | DIMENSIONS IN INCHS |       |       |
|--------|---------------------------|-------|-------|---------------------|-------|-------|
|        | MIN.                      | NOM.  | MAX.  | MIN.                | NOM.  | MAX.  |
| A      | 0.700                     | 0.750 | 0.850 | 0.028               | 0.030 | 0.034 |
| A1     | 0.000                     | 0.020 | 0.050 | 0.000               | 0.001 | 0.002 |
| A2     | 0.150                     | 0.200 | 0.250 | 0.006               | 0.008 | 0.010 |
| D      | 4.900                     | 5.000 | 5.100 | 0.193               | 0.197 | 0.201 |
| E      | 5.900                     | 6.000 | 6.100 | 0.232               | 0.236 | 0.240 |
| D1     | 4.000                     | 4.100 | 4.200 | 0.157               | 0.161 | 0.165 |
| D2     | 4.200                     | 4.300 | 4.400 | 0.165               | 0.169 | 0.173 |
| D3     | 3.105                     | 3.205 | 3.305 | 0.122               | 0.126 | 0.130 |
| E1     | 0.830                     | 0.930 | 1.030 | 0.033               | 0.037 | 0.041 |
| E2     | 2.270                     | 2.370 | 2.470 | 0.089               | 0.093 | 0.097 |
| E3     | 1.195                     | 1.295 | 1.395 | 0.047               | 0.051 | 0.055 |
| E4     | 0.400                     | 0.500 | 0.600 | 0.016               | 0.020 | 0.024 |
| E5     | 0.500                     | 0.600 | 0.700 | 0.020               | 0.024 | 0.028 |
| E6     | 0.500                     | 0.600 | 0.700 | 0.020               | 0.024 | 0.028 |
| L      | 0.4                       | 0.5   | 0.6   | 0.016               | 0.020 | 0.024 |
| L1     | 1.475                     | 1.575 | 1.675 | 0.058               | 0.062 | 0.066 |
| e      | 1.27BSC                   |       |       | 0.05BSC             |       |       |
| b      | 0.4                       | 0.5   | 0.6   | 0.016               | 0.020 | 0.024 |

UNIT: mm

NOTE:

1. CONTROLLING DIMENSION IS MILLIMETER. CONVERTED INCH DIMENSIONS ARE NOT NECESSARILY EXACT.
2. THIS PACKAGE WAS QUALIFIED USING IR REFLOW PROCESS (JEDEC STANDARD). FOR USAGE IN OTHER SOLDERING PROCESSES, PLEASE CONTACT LOCAL AOS REPRESENTATIVES.