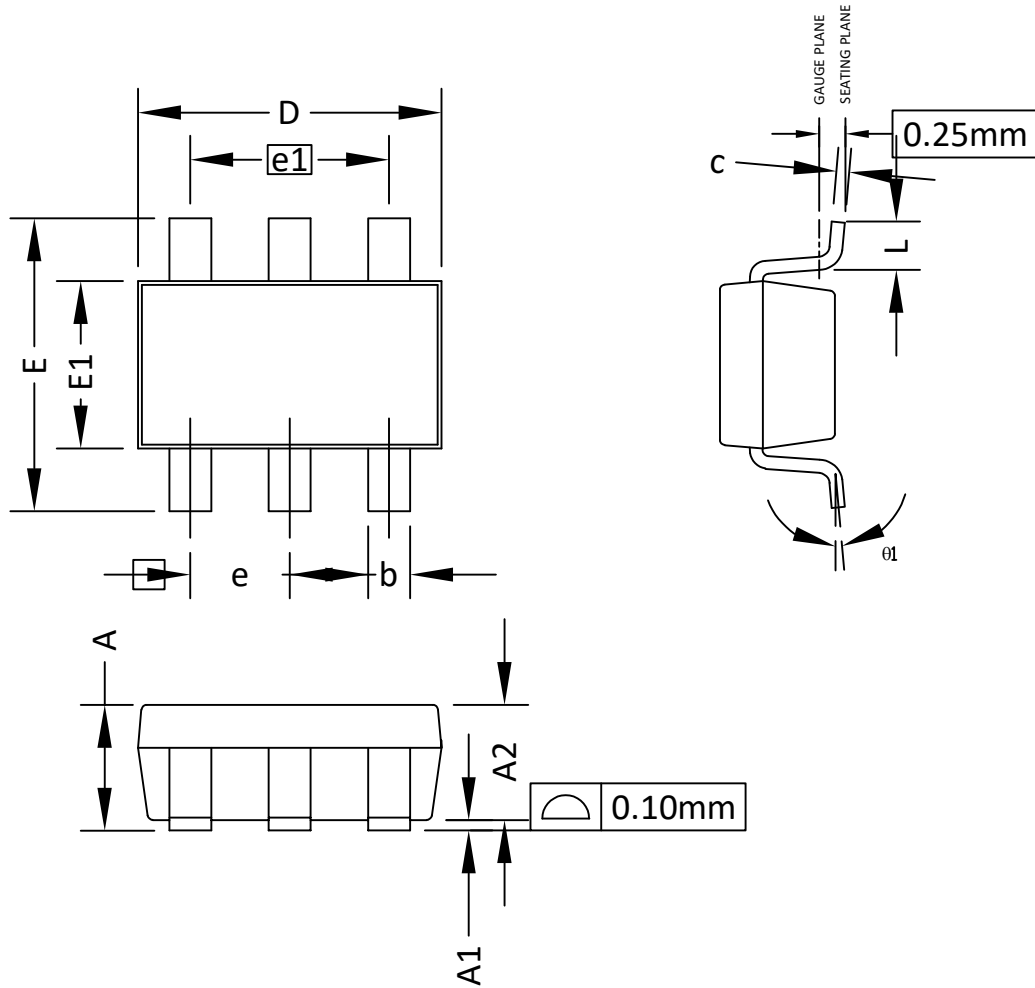
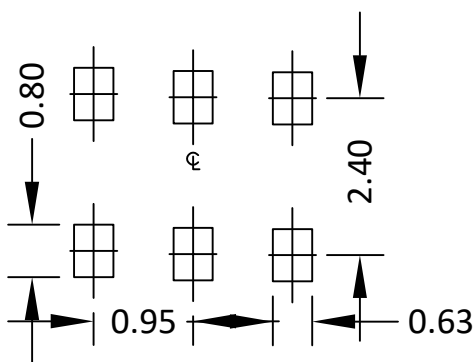


### TSOP6 PACKAGE OUTLINE



#### RECOMMENDED LAND PATTERN



UNIT: mm

SYMBOLS	DIM. IN MM			DIM. IN INCH		
	MIN.	NOM.	MAX.	MIN.	NOM.	MAX.
A	0.800	---	1.250	0.031	---	0.049
A1	0.000	---	0.150	0.000	---	0.006
A2	0.700	1.100	1.200	0.028	0.043	0.047
b	0.300	0.400	0.500	0.012	0.016	0.020
c	0.080	0.130	0.200	0.003	0.005	0.008
D	2.700	2.900	3.100	0.106	0.114	0.122
E	2.500	2.800	3.100	0.098	0.110	0.122
E1	1.500	1.600	1.700	0.059	0.063	0.067
e	0.95BSC			0.37BSC		
e1	1.9BSC			0.075BSC		
L	0.300	---	0.600	0.012	---	0.024
θ1	0°	---	1.700	0°	---	0.067

#### NOTE

- PACKAGE BODY SIZES EXCLUDE MOLD FLASH AND GATE BURRS.  
MOLD FLASH AT THE NON-LEAD SIDES SHOULD BE LESS THAN 5 MILS EACH.
- DIMENSION "L" IS MEASURED IN GAUGE PLANE.
- TOLERANCE ±0.100 mm (4 mil) UNLESS OTHERWISE SPECIFIED.
- FOLLOWED FROM JEDEC MO-178C & MO-193C.
- CONTROLLING DIMENSIONS IS MILLIMETER.  
CONVERTED INCH DIMENSIONS ARE NOT NECESSARILY EXACT.